

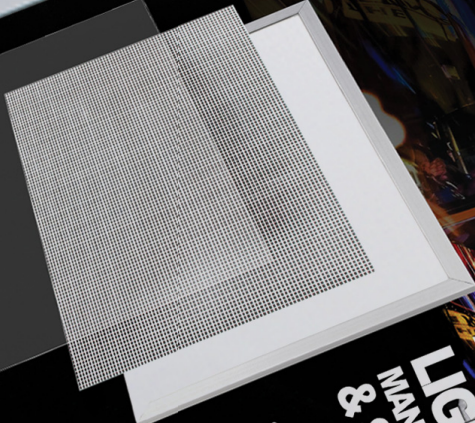
# 02 LIGHT BOX



+1 416-868-2378  
107 West Beaver Creek Dr., Suite 88  
Markham, ON



[inquiries@bandisvision.com](mailto:inquiries@bandisvision.com)  
<https://bandisvision.com>



- Light Guide Panel
- Light Box
- LED Lights
- Channel Letter
- Message Board
- Custom LED

**Bandis Vision Inc.**  
**LIGHTING**  
**MANUFACTURES**  
**& SUPPLIES**

# Bandis

# Table of Contents



## 02 LIGHT BOX

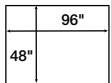
ES Series	03
LT Series	06
HB Series	09
KB-25 Series	12
KB-50 Series	14

# ES Series

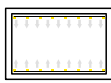
A LED Light Box With Extra Slim Profile



## Key Features



Max Size



Edge-Lit LED



Front Loading



Available Power Coating



CRI 90+



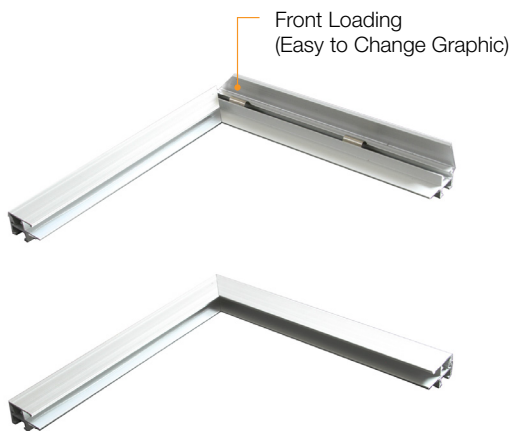
Dimmable



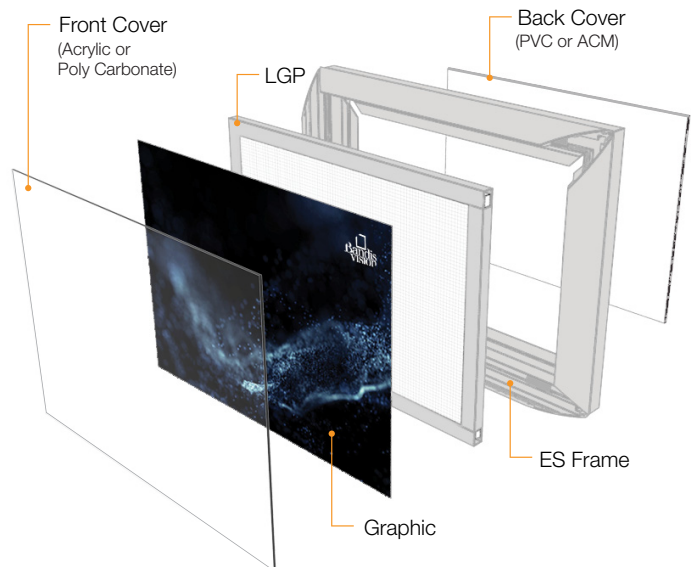
12V / 24V

The ES SERIES Light Box with slim and thin aluminum profiles are ideal for modern environments. The integrated LED light panel illuminate the poster soft and crisp, boosting visual quality, and the rapid snap feature enables quick poster changes. The light box may built up to 48" x 96", comes in basic anodized silver, and optional custom powder coat colors are available.

## Structure



Front Loading  
(Easy to Change Graphic)



Front Cover  
(Acrylic or Poly Carbonate)

Back Cover  
(PVC or ACM)

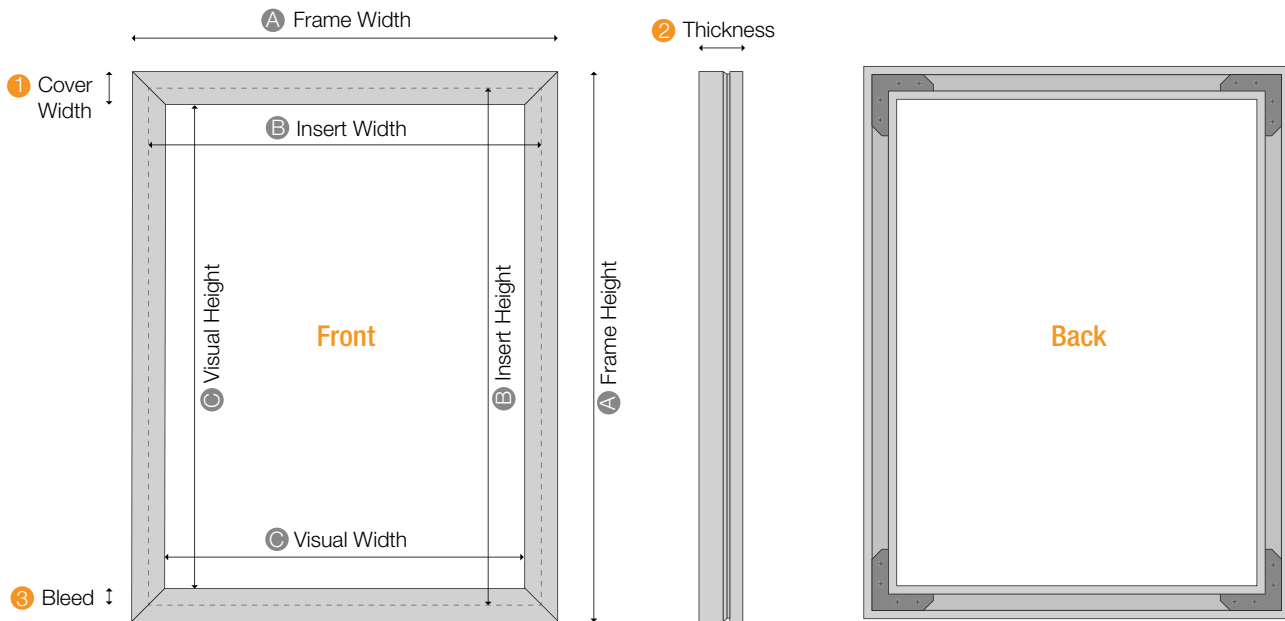
LGP

ES Frame





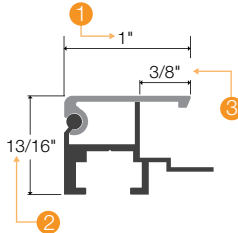
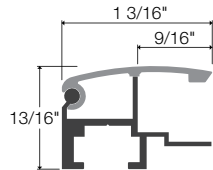
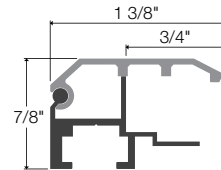
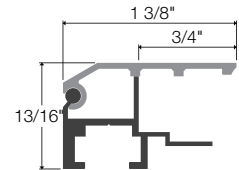
Graphic

## Frame Dimension Guide

\* C Visual Size = B Insert Size - (E Bleed x 2)



## Cover Type & Dimension

				
	<b>Flat 25</b> BV-6301	<b>Round 30</b> BV-6302	<b>Beveled 35</b> BV-6303	<b>Flat 35</b> BV-6304
1 Cover Width	1" (25mm)	1 3/16" (30mm)	1 3/8" (35mm)	1 3/8" (35mm)
2 Thickness	13/16" (20mm)	13/16" (20.7mm)	7/8" (22mm)	13/16" (21.3mm)
3 Bleed	3/8" (10mm)	9/16" (15mm)	3/4" (19.7mm)	3/4" (19.6mm)
Profile				

## Wire Type

\* Default Wire length : 4' (1.2m)



DC Connector  
(Default)



Pig Tail



JST SM Connector

## Mounting Options



D-Ring  
(Default)



Direct Screw  
(#6)



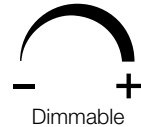
Hanging Wire



Z-Bracket  
(ACM Only)

## Dimming

- 0-10V dimming
- Pulse-with modulation (PWM)



## Specifications

Physical	
Max Size	48" (1219mm) x 96" (2438mm)
Min Size	4" (100mm) x 4" (100mm)
Frame Cover Type	Flat 25 / Round 30 / Beveled 35 / Flat 35
Frame Color	Anodized Silver (Default) / Anodized Black or Other Colors
Front Cover Material	Clear Acrylic (Default) / Poly Carbonate or Non-Glare
Available Gap for Graphic	0.5mm
Back Cover Material	PVC (Default) / ACM
Mounting Options	D-Ring (Default) / Direct Screw (#6) / Hanging Wire / Z-Bracket
Weight	W = 1.0 kg/ft <sup>2</sup> ± 10%
Warranty	3 Years

Electrical	
Available LED Channels	1ch / 2ch / 4ch
Brightness	Apx 1,800 ~ 5,000 Lux
LED Color Temperature	5000K / 6500K (Default) / 10000K
CRI	90+
Input Voltage	12V / 24V DC Class 2
Amperage	0.36A per LED Linear feet (ft) / 1.18A per meter (m)
Power Consumption	4.44W per LED Linear feet (ft) / 14.4W per meter (m)
Operating Temperature	-40°C (-40°F) ~ 60°C (140°F)

## LED Color Temperature

- 5000K
- 6500K (Default)
- 10000K

## Frame Color

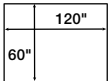
- Anodized Silver (Default)
- Anodized Black
- Other Colors (Powder Coating)

# LT Series

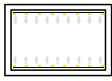
A LED Light Box With Luminous Titanium Finish



## Key Features



Max Size



Edge-Lit LED



Front Loading



Available Power Coating



GRI 90+



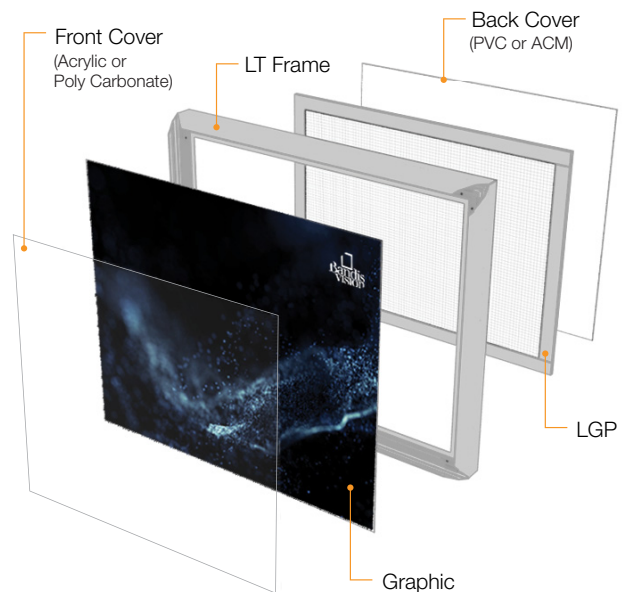
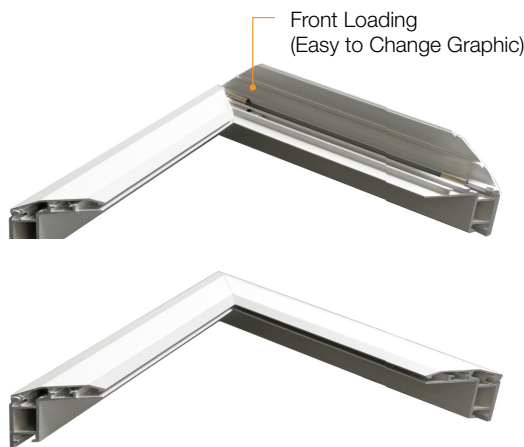
Dimmable



12V / 24V

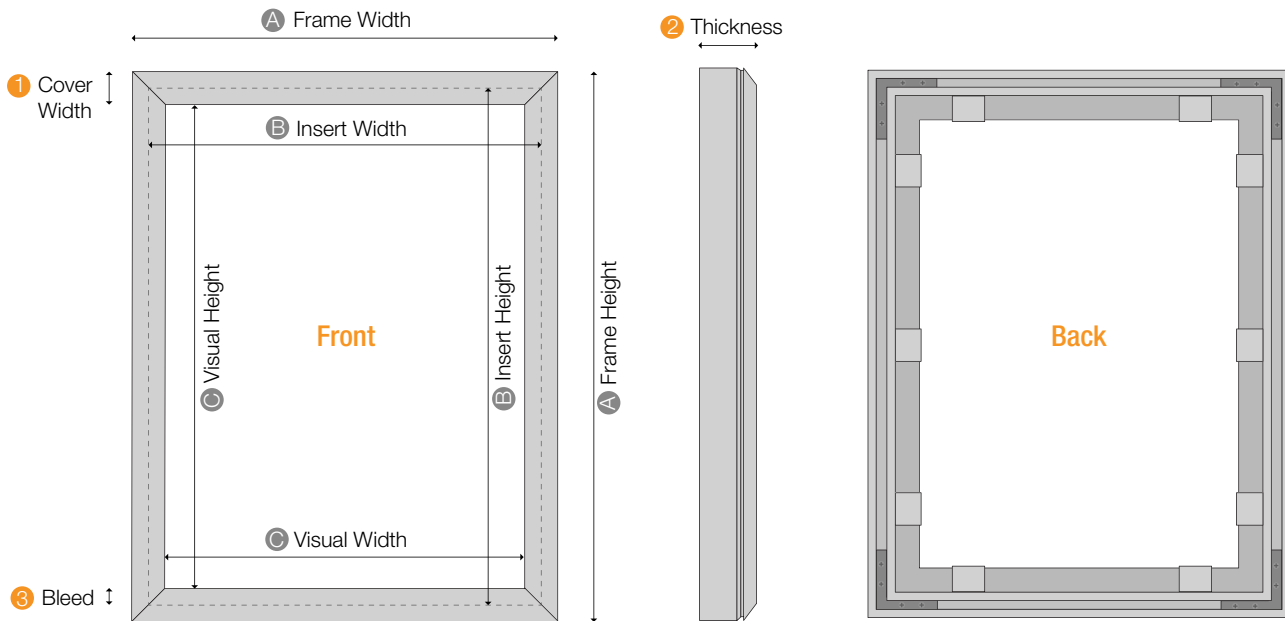
The LT SERIES Light Box is engineered for applications that demand larger panels, measuring up to 60" x 120". Its robust structure is designed to be both strong and light-weight. When combined with a high-quality LED light panel, the result is soft, homogeneous lighting that optimizes graphic quality. The frame features quick-change snap and comes in standard anodized silver, with optional custom powder coat colors available.

## Structure



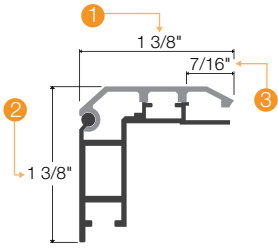
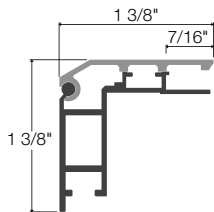


## Frame Dimension Guide

\* **C** Visual Size = **B** Insert Size - (**C** Bleed x 2)



## Cover Type & Dimension

		
	<b>Beveled 35</b> BV-6303	<b>Flat 35</b> BV-6304
<b>1</b> Cover Width	1 3/8" (35mm)	1 3/8" (35mm)
<b>2</b> Thickness	1 3/8" (35.2mm)	1 3/8" (34.4mm)
<b>3</b> Bleed	7/16" (11mm)	7/16" (10.8mm)
Profile		

## Wire Type

\* Default Wire length : 4' (1.2m)



DC Connector  
(Default)



Pig Tail



JST SM Connector

## Mounting Options



D-Ring  
(Default)



Direct Screw  
(#6)



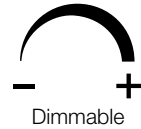
Hanging Wire



Z-Bracket  
(ACM Only)

## Dimming

- 0-10V dimming
- Pulse-with modulation (PWM)

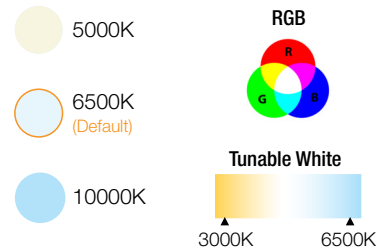


## Specifications

Physical	
Max Size	60" (1524mm) x 120" (3048mm)
Min Size	4" (100mm) x 4" (100mm)
Frame Cover Type	Beveled 35 / Flat 35
Frame Color	Anodized Silver (Default) / Anodized Black or Other Colors
Front Cover Material	Clear Acrylic (Default) / Poly Carbonate or Non-Glare
Available Gap for Graphic	0.5mm
Back Cover Material	PVC (Default) / ACM
Mounting Options	D-Ring (Default) / Direct Screw (#6) / Hanging Wire / Z-Bracket
Weight	W = 1.1 kg/ft <sup>2</sup> ± 10%
Warranty	3 Years

Electrical	
Available LED Channels	1ch / 2ch / 4ch
Brightness	Apx 1,800 ~ 5,000 Lux
LED Color Temperature	5000K / 6500K (Default) / 10000K / CCT / RGB
CRI	90+
Input Voltage	12V / 24V DC Class 2
Amperage	0.36A per LED Linear feet (ft) / 1.18A per meter (m)
Power Consumption	4.44W per LED Linear feet (ft) / 14.4W per meter (m)
Operating Temperature	-40°C (-40°F) ~ 60°C (140°F)

## LED Color Temperature



## Frame Color

- Anodized Silver (Default)
- Anodized Black
- Other Colors (Powder Coating)

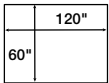


# HB Series

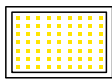
A LED Light Box With High Brightness



## Key Features



Max Size



Back-Lit LED



Front Loading



Available Power Coating



CRI 90+



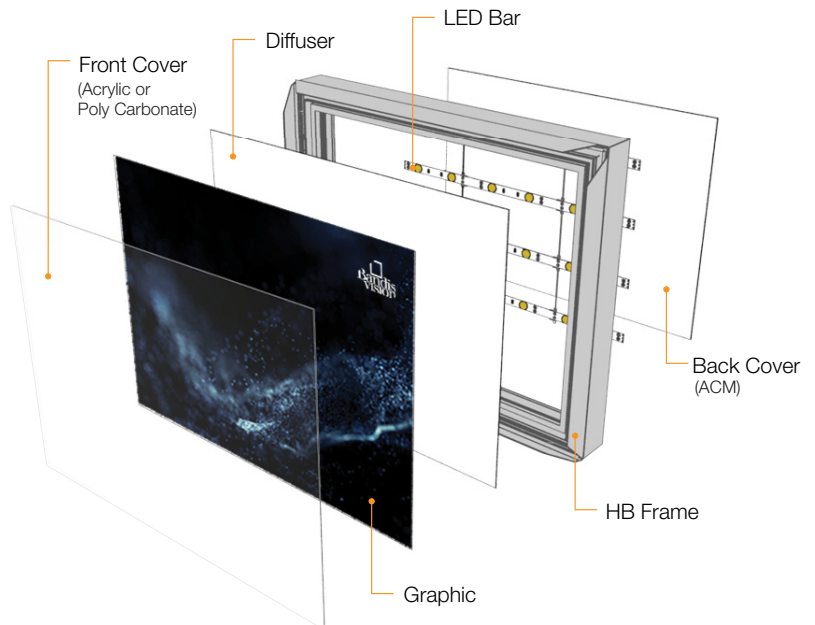
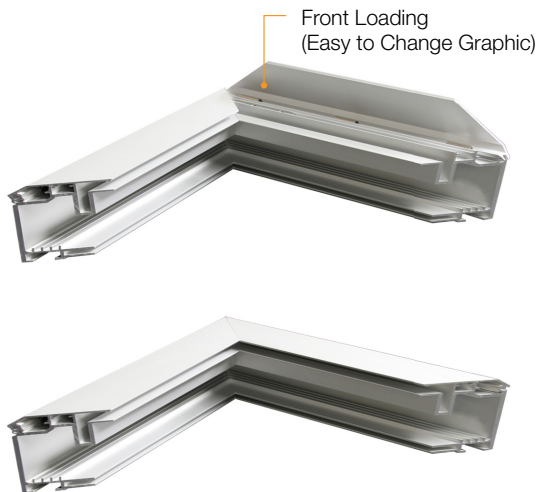
Dimmable



24V

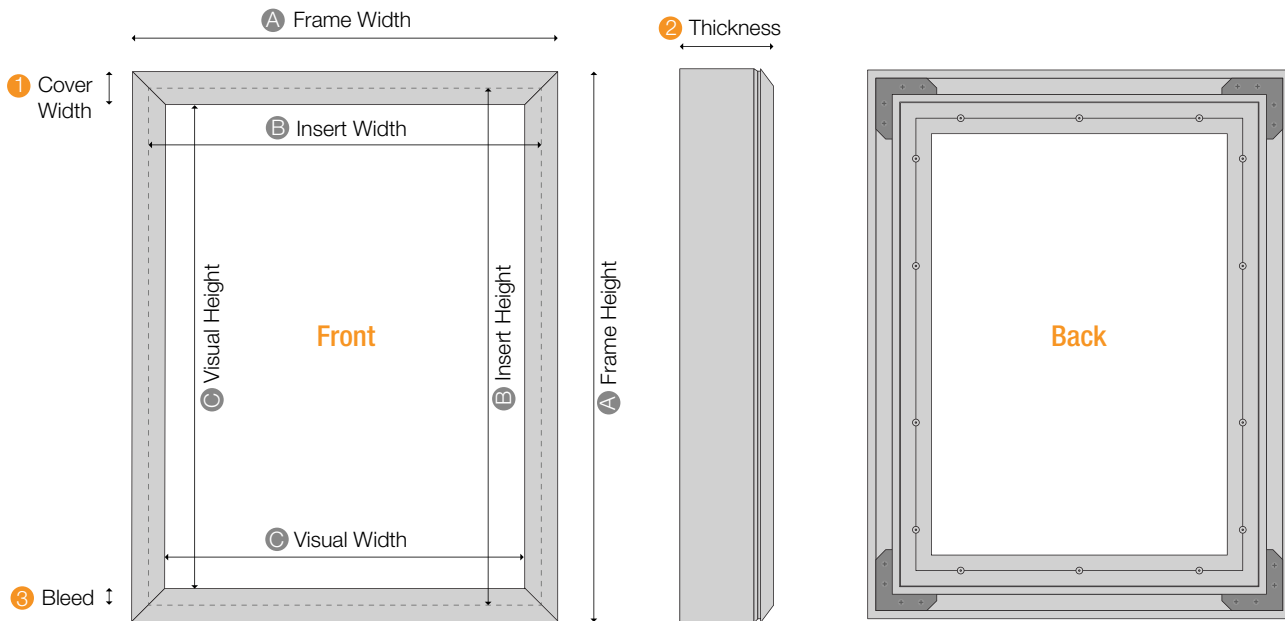
The HB SERIES LED backlight module panels are crafted for applications where paramount brightness is essential. Delivering 5000+ lux, our HB Series ensures even light distribution across the entire surface. Featuring a quick change, front-loading snap frame, it facilitates easy graphic replacement. This product offers two significant advantages: enhanced graphic visibility in daylight applications and virtually limitless panel size options. Choose from standard anodized aluminum or opt for frames in powder-coated colors to suit your preferences.

## Structure


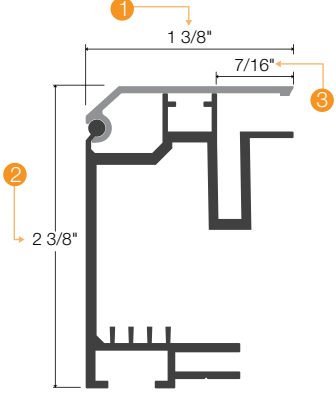


## Frame Dimension Guide

\* **C** Visual Size = **B** Insert Size - (**C** Bleed x 2)



## Cover Type & Dimension

	
	<b>Beveled 38</b> EV-6305
<b>1</b> Cover Width	1 1/2" (38mm)
<b>2</b> Thickness	2 3/8" (60.2mm)
<b>3</b> Bleed	9/16" (14mm)
Profile	

## Wire Type

\* Default Wire length : 4' (1.2m)



DC Connector  
(Default)



Pig Tail



JST SM Connector

## Mounting Options



D-Ring  
(Default)



Direct Screw  
(#6)



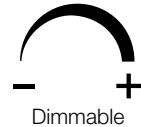
Hanging Wire



Z-Bracket  
(ACM Only)

## Dimming

- 0-10V dimming
- Pulse-with modulation (PWM)



## Specifications

Physical	
Max Size	60" (1524mm) x 120" (3048mm)
Min Size	12" (305mm) x 12" (305mm)
Frame Cover Type	Beveled 38
Frame Color	Anodized Silver (Default) / Anodized Black or Other Colors
Front Cover Material	Clear Acrylic (Default) / Poly Carbonate or Non-Glare
Available Gap for Graphic	0.5mm
Back Cover Material	ACM (Default)
Mounting Options	D-Ring (Default) / Direct Screw (#6) / Hanging Wire / Z-Bracket
Weight	W = 1.5 kg/ft <sup>2</sup> ± 10%
Warranty	3 Years

Electrical	
Available LED Channels	LED Bar
Brightness	5,000 Lux ± 5%
LED Color Temperature	5000K / 6500K (Default) / 10000K
CRI	90+
Input Voltage	24V DC Class 2
Amperage	0.47A / ft <sup>2</sup>
Power Consumption	11.5W / ft <sup>2</sup>
Operating Temperature	-40°C (-40°F) ~ 60°C (140°F)

## LED Color Temperature

- 5000K
- 6500K (Default)
- 10000K

## Frame Color

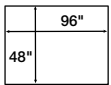
- Anodized Silver (Default)
- Anodized Black
- Other Colors (Powder Coating)

# KB-25 Series

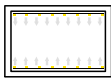
Edge-lit Frameless SEG Fabric LED Light Box



## Key Features



Max Size



Edge-Lit LED



SEG  
(Silicone Edge  
Graphic)



Available  
Power Coating



CRI 90+



Dimmable



12V / 24V



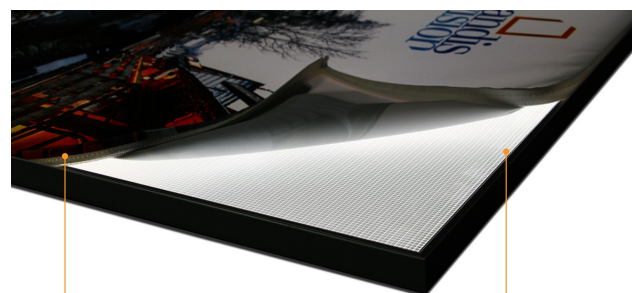
Light

This represents the prevalent variant of our frameless fabric LED light box, where LED light sources are strategically positioned along the frame, typically on the two longer sides. We specialize in manufacturing single-sided edge-lit models, available in an ultra-thin profile measuring only 25mm, as well as double-sided, edge-lit, and free-standing options. These high-powered LEDs illuminate expansive displays with ease. Assembly and installation are quick and straightforward. Utilizing customer provided images, we meticulously handle edge-lit fabric printing, ensuring a seamless and frameless display with sewn silicone edges.

## Structure



Seamless and Frameless



SEG  
(Silicone Edge Graphic)

Side-Lit

## Wire Type

\* Default Wire length : 4' (1.2m)



DC Connector  
(Default)



Pig Tail



JST SM Connector

## Mounting Options



D-Ring  
(Default)



Direct Screw  
(#6)



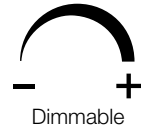
Hanging Wire



Z-Bracket  
(ACM Only)

## Dimming

- 0-10V dimming
- Pulse-with modulation (PWM)



## Specifications

Physical	
Max Size	48" (1219mm) x 96" (2438mm)
Min Size	4" (100mm) x 4" (100mm)
Thickness	1" (25mm)
Frame Cover Type	Seamless SEG Fabric
Frame Color	Anodized Silver (Default) / Anodized Black or Other Colors
Bleed	None
Mounting Options	D-Ring (Default) / Direct Screw (#6) / Hanging Wire / Z-Bracket
Weight	W = 1.5 kg/ft <sup>2</sup> ± 10%
Warranty	3 Years

Electrical	
Available LED Channels	1ch / 2ch / 4ch
Brightness	Apx 1,800 ~ 5,000 Lux
LED Color Temperature	5000K / 6500K (Default) / 10000K
CRI	90+
Input Voltage	12V / 24V DC Class 2
Amperage	0.36A / LED Linear ft <sup>2</sup>
Power Consumption	?
Operating Temperature	-40°C (-40°F) ~ 60°C (140°F)

## LED Color Temperature

- 5000K
- 6500K (Default)
- 10000K

## Frame Color

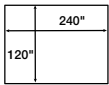
- Anodized Silver (Default)
- Anodized Black
- Other Colors (Powder Coating)

# KB-50 Series

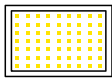
Back-lit Frameless SEG Fabric LED Light Box



## Key Features



Max Size



Back-Lit LED



SEG (Silicone Edge Graphic)



Available Power Coating



CRI 90+



Dimmable



24V



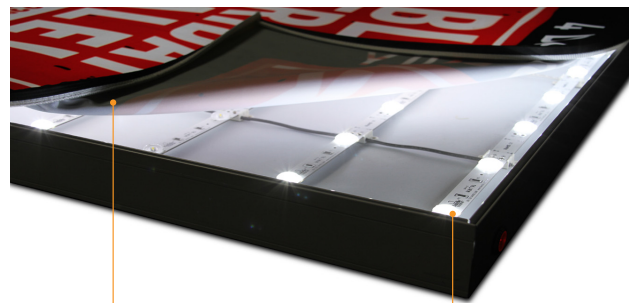
Light

The light source in the back-lit frameless fabric LED light box consists of an array of smaller LEDs strategically positioned on the backplate. This design guarantees consistent brightness across displays of varying sizes. Manufactured with a slim 50mm profile, the back-lit light box is assembled, shipped, and effortlessly installed. Within this profile, we've seamlessly integrated an internal, dimmable power supply. Leveraging customer-provided images, we expertly handle back-lit fabric printing, complete with sewn silicone edges for a flawless and frameless presentation.

## Structure



Seamless and Frameless



SEG (Silicone Edge Graphic)

Back-Lit

## Wire Type

\* Default Wire length : 4' (1.2m)



DC Connector  
(Default)



Pig Tail



JST SM Connector

## Mounting Options



D-Ring  
(Default)



Direct Screw  
(#6)



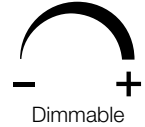
Hanging Wire



Z-Bracket  
(ACM Only)

## Dimming

- 0-10V dimming
- Pulse-width modulation (PWM)



## Specifications

Physical	
Max Size	120" (3048mm) x 240" (6096mm)
Min Size	4" (100mm) x 4" (100mm)
Thickness	2" (50mm)
Frame Cover Type	Seamless SEG Fabric
Frame Color	Anodized Silver (Default) / Anodized Black or Other Colors
Bleed	None
Mounting Options	D-Ring (Default) / Direct Screw (#6) / Hanging Wire / Z-Bracket
Weight	W = 0.75 kg/ft <sup>2</sup> ± 10%
Warranty	3 Years

Electrical	
Available LED Channels	LED Bar
Brightness	5,000 Lux ± 5%
LED Color Temperature	5000K / 6500K (Default) / 10000K
CRI	90+
Input Voltage	24V DC Class 2
Amperage	0.47A / ft <sup>2</sup>
Power Consumption	11.5W / ft <sup>2</sup>
Operating Temperature	-40°C (-40°F) ~ 60°C (140°F)

## LED Color Temperature

5000K

6500K  
(Default)

10000K

## Frame Color

Anodized Silver  
(Default)

Anodized Black

Other Colors  
(Powder Coating)