

| Bandis Vision Brochure

05

SNAP FRAME



Table of Contents



05 SNAP FRAME

EV-1 03

EV-2 05

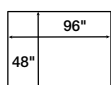


EV-1

The Non-Lit Snap Frame With Slim Profile And Versatile Application



Key Features



Max Size



Front Loading



Available
Power Coating

Frame Color



Anodized Silver
(Default)



Anodized Black



Other Colors
(Powder Coating)

The same snap frame as specified by our light box are also available in non-lit EV-1 profiles. The EV series snap frames are the perfect retail solution that showcases graphics within a single-sided/double-sided frame and allows quick and easy changing of graphics. Standard anodized aluminum or powder coated color frames are available for modern look finish.

Mounting Options



D-Ring
(Default)



Direct Screw
(#6)



Hanging Wire



Z-Bracket
(ACM Only)

EV-1 Structure

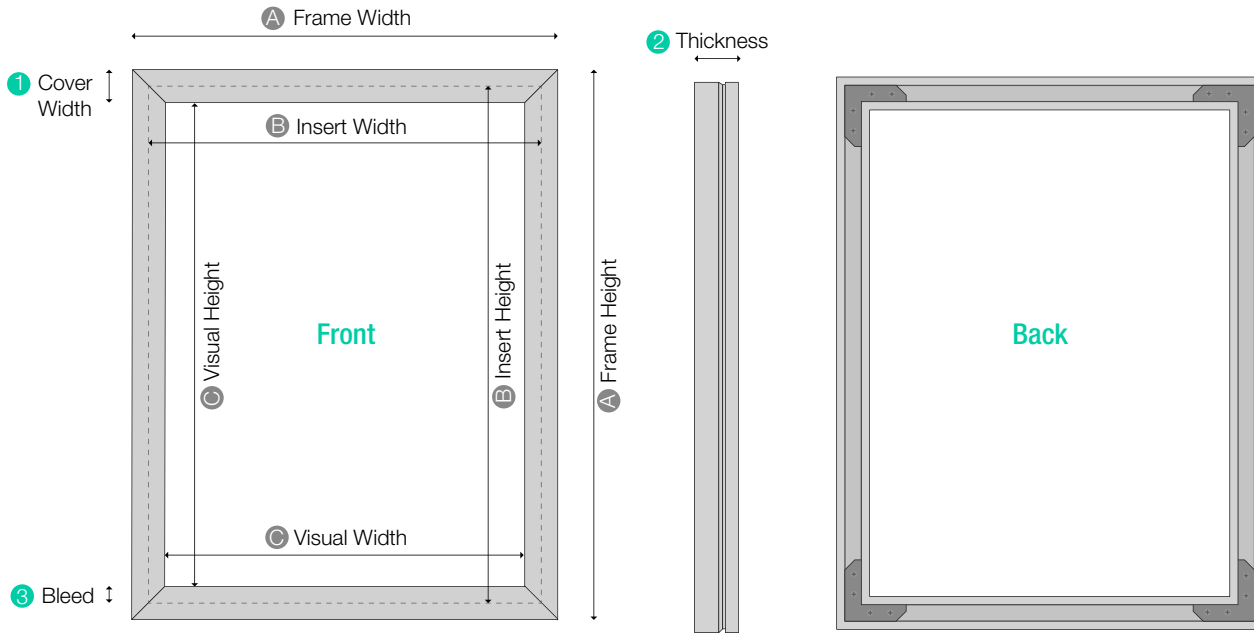


Specifications






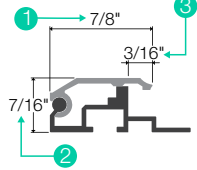
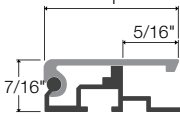
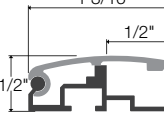
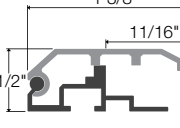
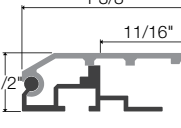
Physical	
Max Size	48" (1219mm) x 96" (2438mm)
Min Size	4" (100mm) x 4" (10mm)
Frame Cover Type	Beveled 22 / Flat 25 / Round 30 / Beveled 35 / Flat 35
Frame Color	Anodized Silver (Default) / Anodized Black or Other Colors
Front Cover Material	Clear Acrylic (Default) / Poly Carbonate or Non-Glare
Available Gap for Graphic	1/64" (0.5mm) ~ 5/32" (4mm)
Back Cover Material	PVC (Default) / ACM or Foam Board
Mounting Options	D-Ring (Default) / Direct Screw (#6) / Hanging Wire / Z-Bracket
Weight	W = 0.5 kg/ft ² ± 10%
Warranty	3 Years

EV-1 Frame Dimension Guide

* **C** Visual Size = **B** Insert Size - (**C** Bleed x 2)



EV-1 Cover Type & Dimension

					
	Beveled 22 BV-6300	Flat 25 BV-6301	Round 30 BV-6302	Beveled 35 BV-6303	Flat 35 BV-6304
1 Cover Width	7/8" (22mm)	1" (25mm)	1 3/16" (30mm)	1 3/8" (35mm)	1 3/8" (35mm)
2 Thickness	7/16" (11.6mm)	7/16" (11mm)	1/2" (12mm)	1/2" (13.4mm)	1/2" (12.6mm)
3 Bleed	3/16" (5.2mm)	5/16" (8.5mm)	1/2" (13.4mm)	11/16" (18.2mm)	11/16" (18mm)
Profile					

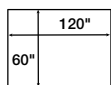


EV-2

The Non-Lit Snap Frame With Slim Profile And Versatile Application



Key Features



Max Size



Front Loading

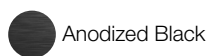


Available Power Coating

Frame Color



Anodized Silver (Default)



Anodized Black



Other Colors (Powder Coating)

The same snap frame as specified by our light box are also available in non-lit EV-2 profiles. The EV series snap frames are the perfect retail solution that showcases graphics within a single-sided/double-sided frame and allows quick and easy changing of graphics. Standard anodized aluminum or powder coated color frames are available for modern look finish.

Mounting Options



D-Ring (Default)



Direct Screw (#6)



Hanging Wire



Z-Bracket (ACM Only)

EV-2 Structure



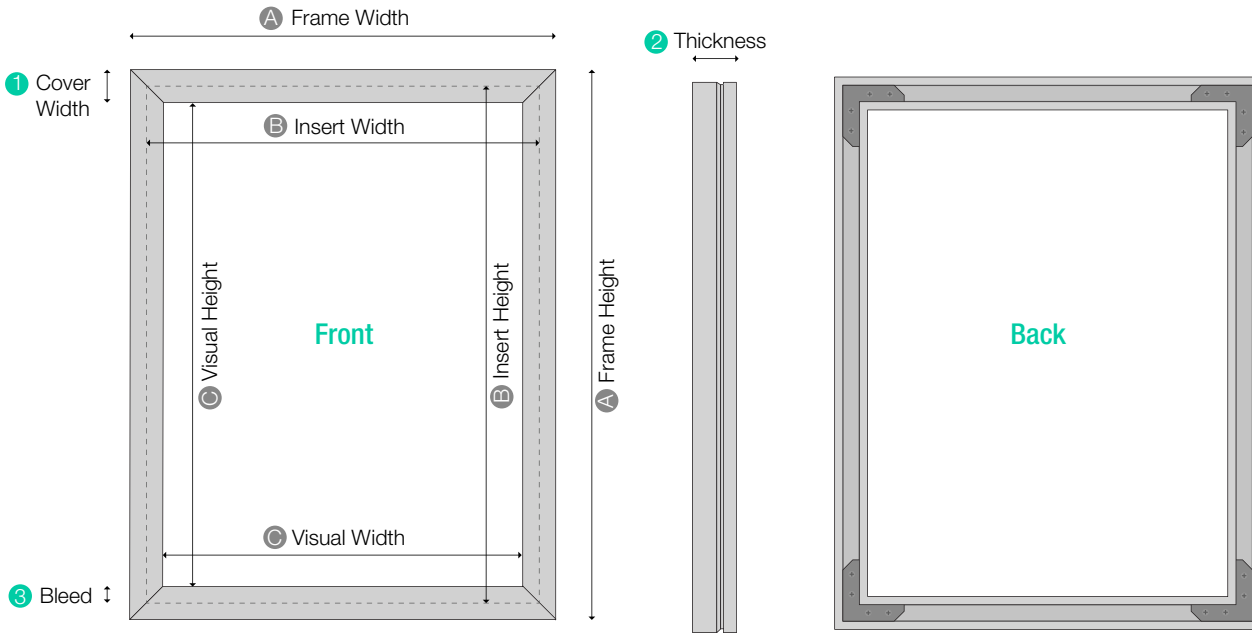
Front Loading (Easy to Change Graphic)

Specifications





Physical	
Max Size	60" (1524mm) x 120" (3048mm)
Min Size	4" (100mm) x 4" (10mm)
Frame Cover Type	Flat 25 / Round 30 / Beveled 35 / Flat 35
Frame Color	Anodized Silver (Default) / Anodized Black or Other Colors
Front Cover Material	Clear Acrylic (Default) / Poly Carbonate or Non-Glare
Available Gap for Graphic	1/64" (0.5mm) ~ 5/32" (4mm)
Back Cover Material	PVC (Default) / ACM or Foam Board
Mounting Options	D-Ring (Default) / Direct Screw (#6) / Hanging Wire / Z-Bracket
Weight	W = 0.5 kg/ft ² ± 10%
Warranty	3 Years

EV-2 Frame Dimension Guide

* C Visual Size = B Insert Size - (C Bleed x 2)



EV-2 Cover Type & Dimension Guide

				
	Flat 25 BV-6301	Round 30 BV-6302	Beveled 35 BV-6303	Flat 35 BV-6304
1 Cover Width	1" (25mm)	1 3/16" (30mm)	1 3/8" (35mm)	1 3/8" (35mm)
2 Thickness	11/16" (18mm)	3/4" (18.8mm)	13/16" (20.3mm)	3/4" (19.5mm)
3 Bleed	3/8" (10mm)	9/16" (15mm)	3/4" (19.7mm)	3/4" (19.6mm)
Profile	