

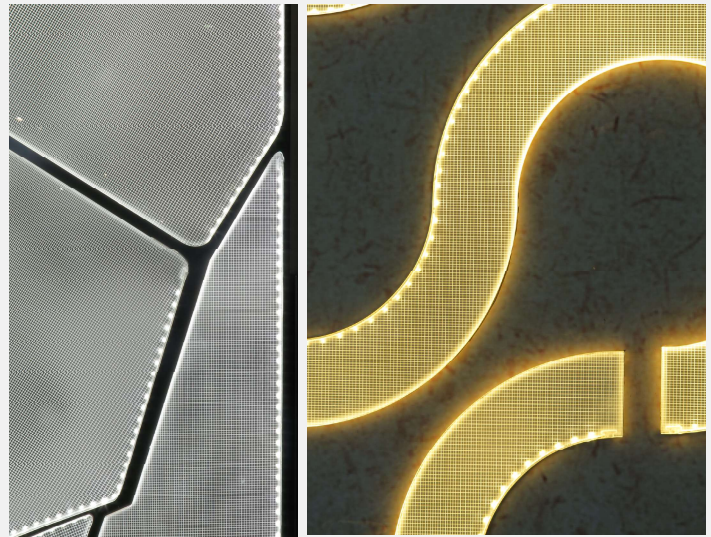
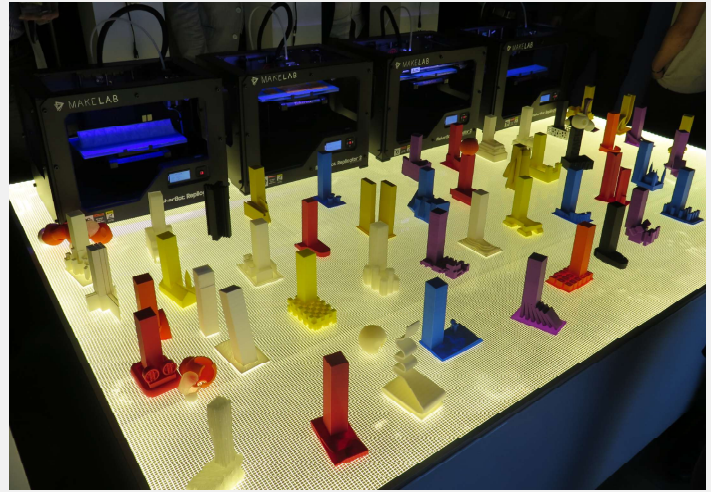
01

LGP

LIGHT GUIDED PANEL



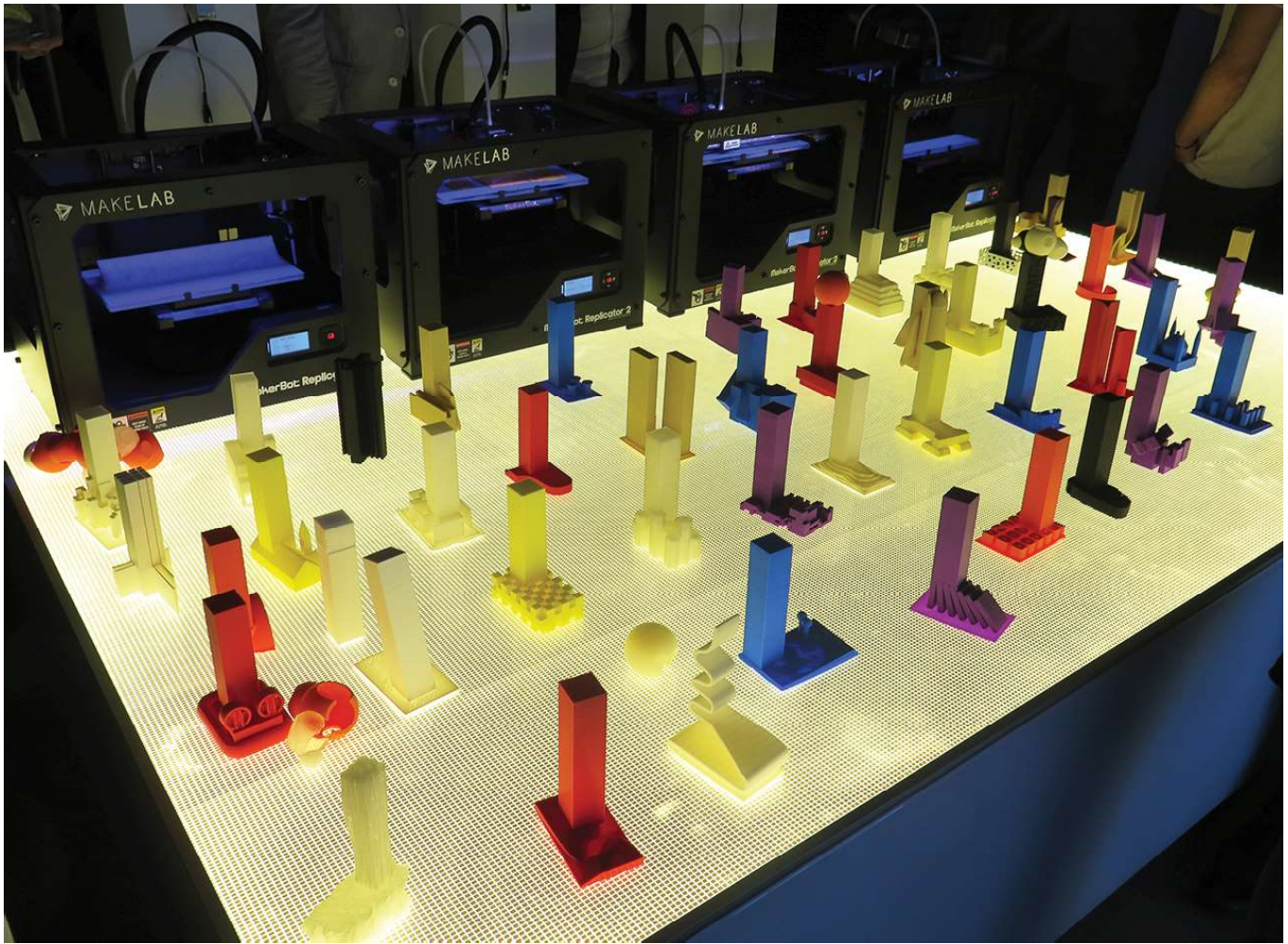
Table of Contents



01 LGP

Standard LGP **06**

Trimless LGP **08**



01 LED LIGHT PANEL

LED light Panel is a sub-assembly light source that delivers flawless illumination on a various surfaces and materials. The Light Panel features high-quality LEDs and 3D V-cut engraved light guiding plate, ensuring uniform illumination across the entire panel surface at various color temperatures, made to fit your needs.

Ideal for illuminating compact and narrow flat surfaces of all sizes and forms. It may be used for displays, feature walls, ceilings, countertops, and floors, among many others, giving designers a simple yet effective approach to create visually-striking lighting solutions in environments of all types.

I Customizable

- +Any size and up to 60" (1524mm) x 120" (3048mm)
- +Customizable shapes
- +Available in cool white, warm white, Tunable White, RGB, Digital LED
- +Single or double-sided uses

I Bright Uniform Illumination

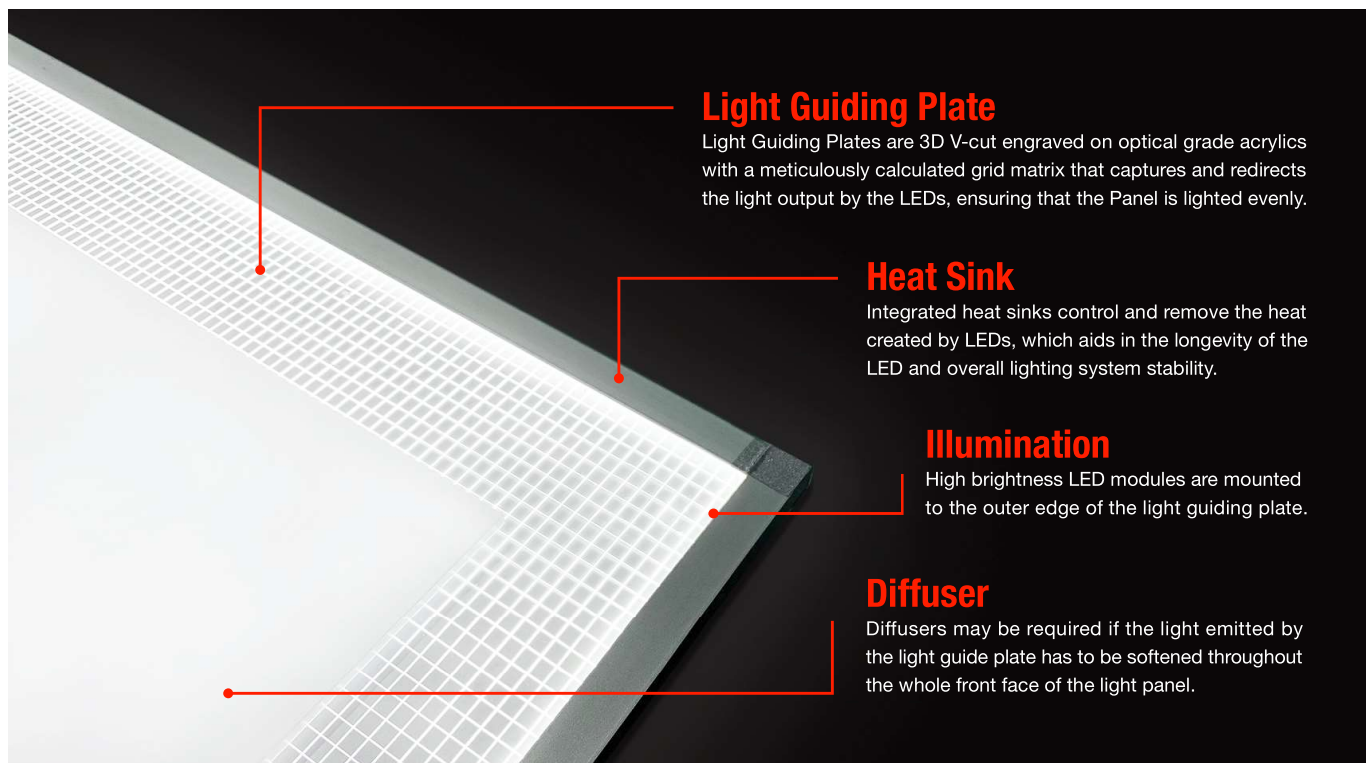
- +3D V-CUT engraved grid matrix
- +High-intensity LED modules
- +2,000~10,000 LUX
- +90+ CRI

I Energy Efficient

- +Low power consumption & maintenance
- +Long LED lifespan up to 70,000 hrs

I Warranty

- +3 years limited warranty

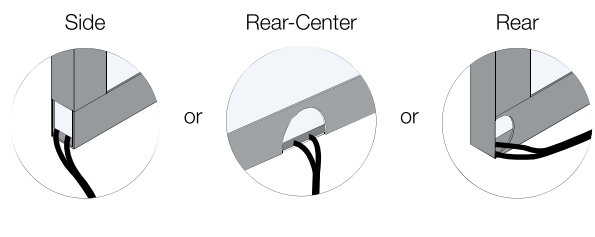




Number of LED Channels

The number of LED channels is determined by your use case, size, and brightness setting.

Our team is happy to help you figure out which options will work best for your specific needs.

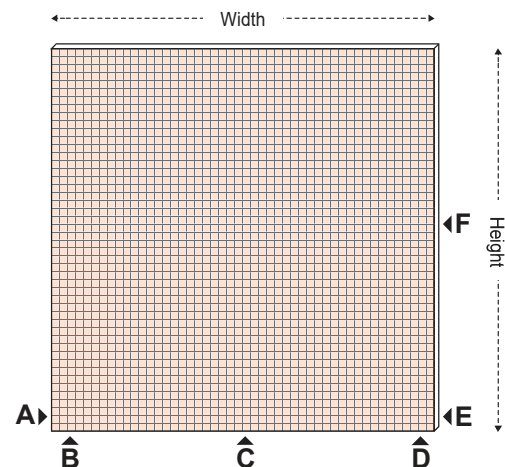


Power Wire Location

* Wire Location: Left or Right

* Default Wire Length: 4' (1.2m)

* Number of Wire: 1 wire required < 12V / 50W < 2 wires required
1 wire required < 24V / 75W < 2 wires required



Standard LGP

Slimline 7mm / 8mm, Seamless Illumination made to fit

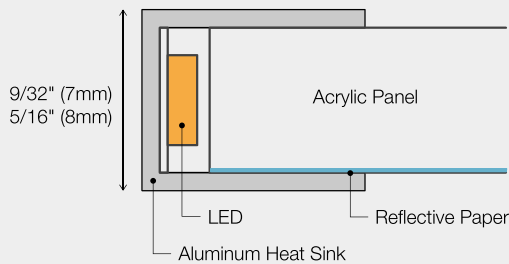


LED modules are fixed onto the perimeter edge of the V-cut engraved light directing plate, and its edges are covered with U-channel aluminum, resulting in excellent consistent illumination from within a range of different materials and surfaces.

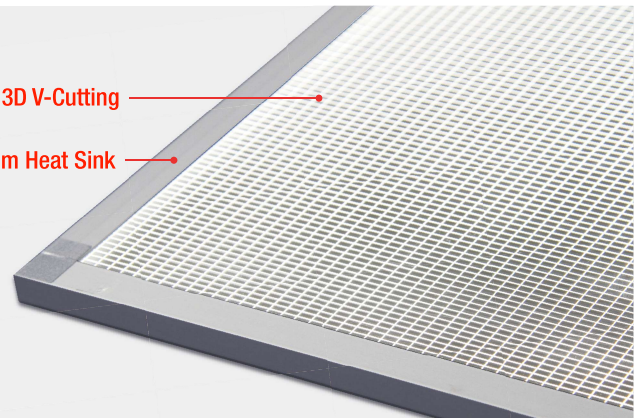
Key Features

- Slimline 7 mm and 8 mm
- Square shape up to 60" (1524mm) x 120" (3048mm)
- Custom 3D V-Cutting Technology
- Single or Double-sided uses
- Choices of cool white, warm white, Tunable white, RGB
- Dry location use
- Optional lighting controls available
- Made in Canada

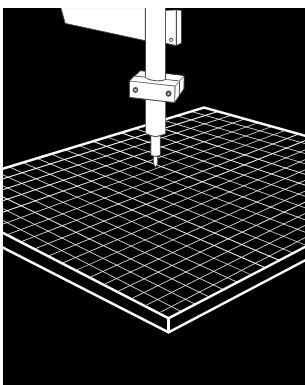
Profile



- ① Custom 3D V-Cutting
- ② Aluminum Heat Sink

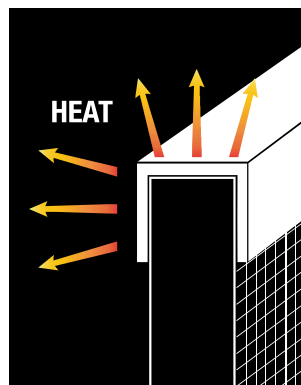


① Custom 3D V-Cutting



3-dimensional V-cut etched on optical grade acrylics with a precisely computed grid matrix catches and directs the light output by the LEDs, resulting consistent illumination over the panel.

② Aluminum Heat Sink



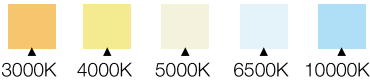
Integrated heat sinks reduce the heat generated by LEDs, improving their lifetime and overall lighting system stability.

- LED Longevity
- Performance Stability
- Low Maintenance

LED Color Temperatures

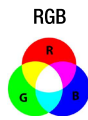
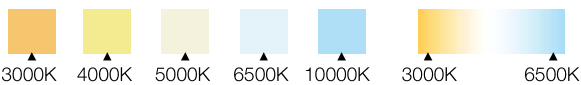
• 9/32" (7mm)

White LED Color Temperature (Standard Color)



• 5/16" (8mm)

White LED Color Temperature (Standard Color)



Dimming

- 0-10V dimming
- Pulse-width modulation (PWM)



Wire Type

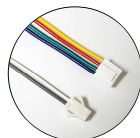
* Default Wire Length : 4' (1.2m)



DC Connector

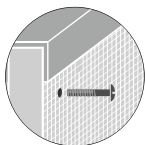


Pig Tail



JST SM Connector

Mounting Options



Direct Screw



Z Clip



Mirror Clip

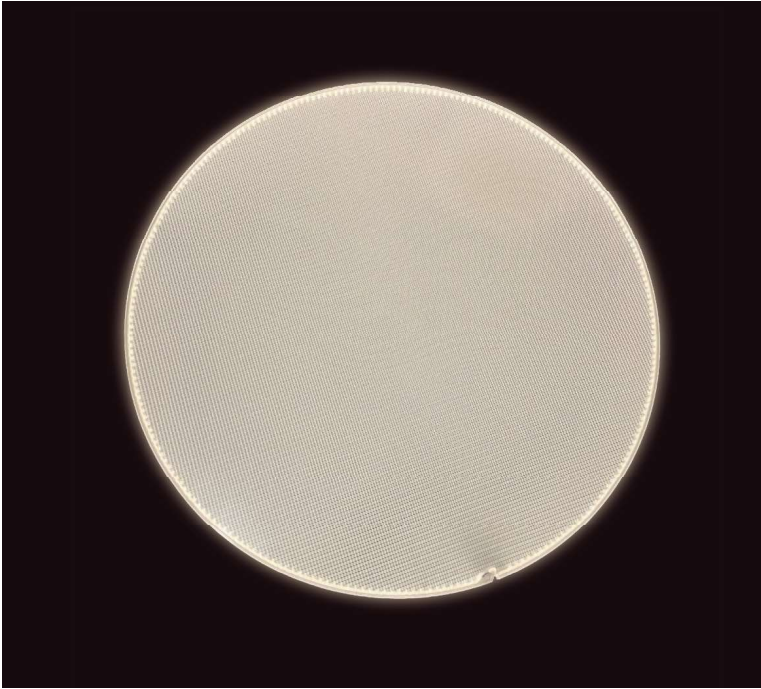


Specifications

Physical	
Max Size	60" (1524mm) x 120" (3048mm)
Min Size	2" (50mm) x 2" (50mm)
Overall Thickness	9/32" (7mm), 5/16" (8mm)
Operating Temperature	-30°C (-22°F) ~ +40°C (+104°F)
Environment	Dry location only (Indoor)
Mounting Options	Direct Screw / Z Clip / Mirror Clip
Weight	9/32" (7mm) : 1.23lb/ft ² (6kg/m ²) 5/16" (8mm) : 1.5lb/ft ² (7.3kg/m ²)
Warranty	3 Years
Electrical	
Input Voltage	12V / 24V DC Class 2
Power Consumption	3.0 w/ft / 4.0 w/ft
Brightness	2,000 Lux to 10,000 Lux
Color Temperature	7mm: White LED, R or G or B 8mm: White LED, Tunable, RGB, Digital LED
Available LED Channels	1ch / 2ch / 4ch
CRI	90+

Trimless LGP

Custom shapes, 6mm / 8mm / 12mm Trimless light panel

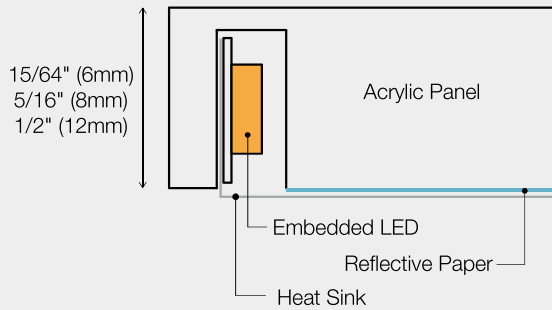


Built to be premium in both style and function, with a heat sink and LED modules mounted to the outer edge of the Light directing plate to provide crisp, homogenous illumination. Enabling the customization of sizes and forms.

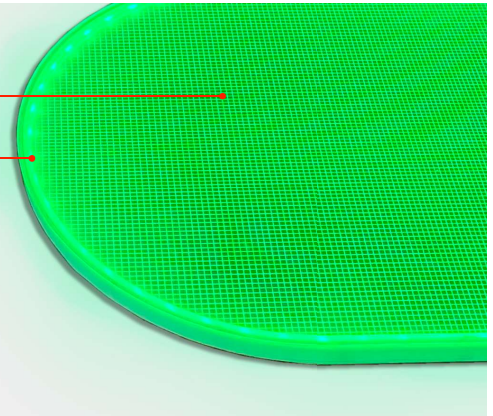
Key Features

- Slimline 6 mm, 8mm, and 12 mm Customizable shapes up to
- 60" (1524mm) x 120" (3048mm)
- Trimless Construction
- Custom 3D V-Cutting Technology
- Single or Double-sided uses Choices of cool white, warm white,
- Tunable white, RGB
- Dry location use
- Optional lighting controls available
- Made in Canada

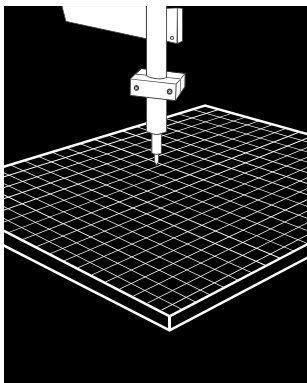
Profile



- 1 Custom 3D V-Cutting
- 2 Embedded LED

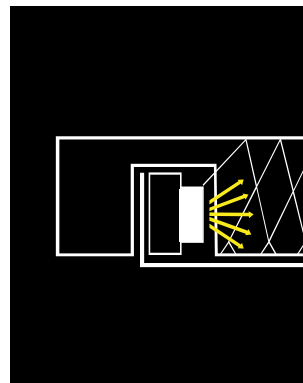


1 Custom 3D V-Cutting



3-dimensional V-cut etched on optical grade acrylics with a precisely computed grid matrix catches and directs the light output by the LEDs, resulting consistent illumination over the panel.

2 Embedded LED

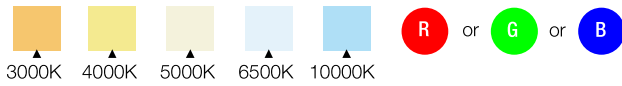


LED modules are embedded directly onto the perimeter edge of the light guide plate, eliminating the need for rigid frames. This method enables the light panel to be built in any form.

LED Color Temperatures

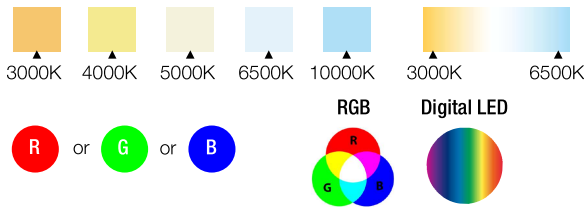
• 15/64" (6mm)

White LED Color Temperature (Standard Color)



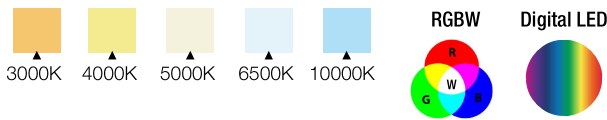
• 5/16" (8mm)

White LED Color Temperature (Standard Color)



• 1/2" (12mm)

White LED Color Temperature (Standard Color)



Dimming

- 0-10V dimming
- Pulse-width modulation (PWM)



Wire Type

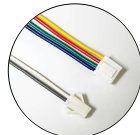
* Default Wire Length : 4' (1.2m)



DC Connector

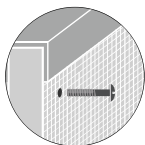


Pig Tail



JST SM Connector

Mounting Options



Direct Screw



Z Clip

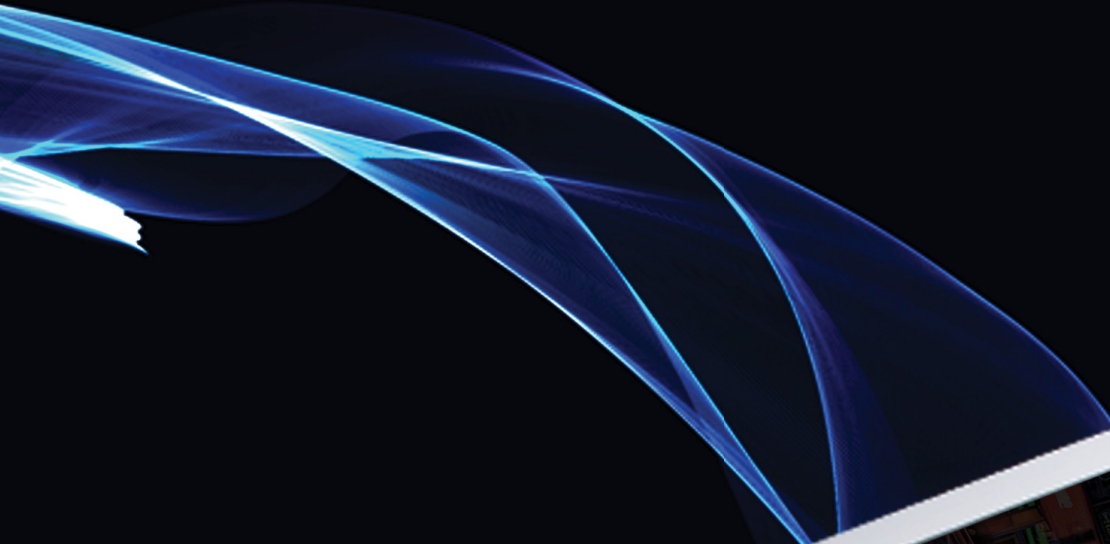


Mirror Clip

Specifications

Physical	
Max Size	15/64" (6mm) : 60" x 120" 5/16" (8mm), 1/2" (12mm) : 48" x 96"
Min Size	2" (50mm) x 2" (50mm)
Overall Thickness	15/64" (6mm), 5/16" (8mm), 1/2" (12mm)
Operating Temperature	-30°C (-22°F) ~ +40°C (+104°F)
Environment	Dry location only (Indoor)
Mounting Options	Direct Screw / Z Clip / Mirror Clip
Weight	15/64" (6mm) : 1.5lb/ft ² (7.3kg/m ²) 5/16" (8mm) : 2lb/ft ² (9.8kg/m ²) 1/2" (12mm) : 3lb/ft ² (14.6kg/m ²)
Warranty	3 Years
Electrical	
Input Voltage	12V / 24V DC Class 2
Power Consumption	3.0 w/ft / 4.0 w/ft
Brightness	2,000 Lux to 10,000 Lux
Color Temperature	6mm : White LED, R or G or B 8mm : White LED, R or G or B, RGB, Tunable, Digital LED 12mm : White LED, RGBW, Digital LED (DMX)
Available LED Channels	1ch / 2ch / 4ch
CRI	90+

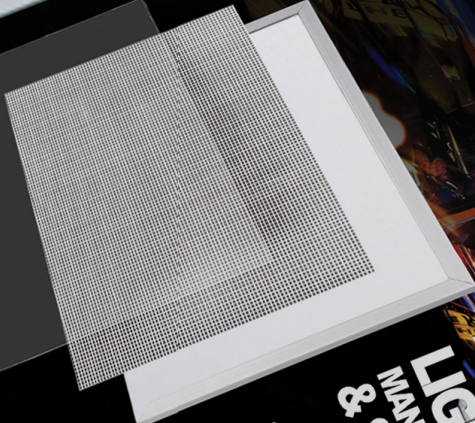
02 LIGHT BOX



+1 416-868-2378
107 West Beaver Creek Dr., Suite 88
Markham, ON



inquiries@bandisvision.com
<https://bandisvision.com>



- Light Guide Panel
- Light Box
- LED Lights
- Channel Letter
- Message Board
- Custom LED

Bandis Vision Inc.
LIGHTING
MANUFACTURES
& SUPPLIES

Bandis

Table of Contents



02 LIGHT BOX

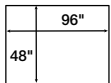
ES Series	03
LT Series	06
HB Series	09
KB-25 Series	12
KB-50 Series	14

ES Series

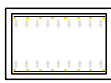
A LED Light Box With Extra Slim Profile



Key Features



Max Size



Edge-Lit LED



Front Loading



Available Power Coating



CRI 90+



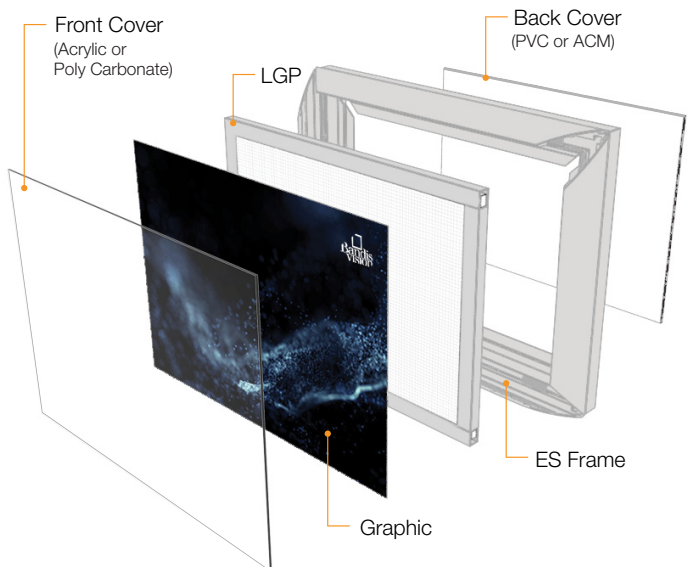
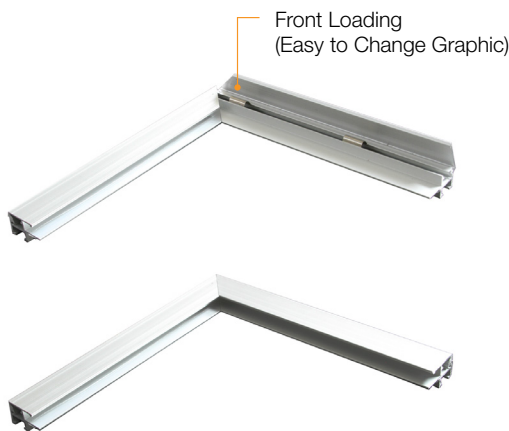
Dimmable



12V / 24V

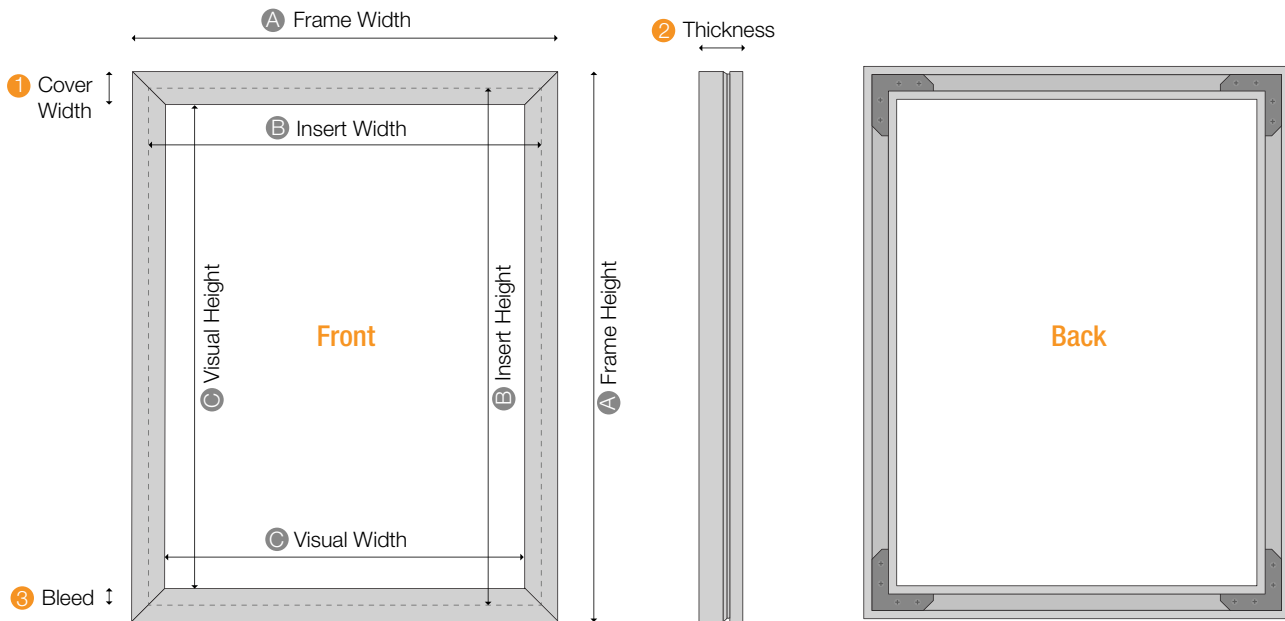
The ES SERIES Light Box with slim and thin aluminum profiles are ideal for modern environments. The integrated LED light panel illuminate the poster soft and crisp, boosting visual quality, and the rapid snap feature enables quick poster changes. The light box may built up to 48" x 96", comes in basic anodized silver, and optional custom powder coat colors are available.

Structure





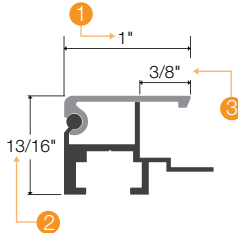
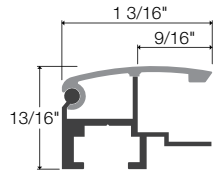
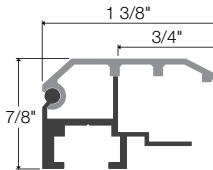
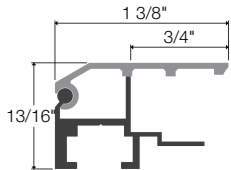


Frame Dimension Guide

* C Visual Size = B Insert Size - (E Bleed x 2)



Cover Type & Dimension

				
	Flat 25 BV-6301	Round 30 BV-6302	Beveled 35 BV-6303	Flat 35 BV-6304
1 Cover Width	1" (25mm)	1 3/16" (30mm)	1 3/8" (35mm)	1 3/8" (35mm)
2 Thickness	13/16" (20mm)	13/16" (20.7mm)	7/8" (22mm)	13/16" (21.3mm)
3 Bleed	3/8" (10mm)	9/16" (15mm)	3/4" (19.7mm)	3/4" (19.6mm)
Profile				

Wire Type

* Default Wire length : 4' (1.2m)



DC Connector
(Default)



Pig Tail



JST SM Connector

Mounting Options



D-Ring
(Default)



Direct Screw
(#6)



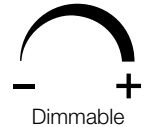
Hanging Wire



Z-Bracket
(ACM Only)

Dimming

- 0-10V dimming
- Pulse-width modulation (PWM)



Specifications

Physical	
Max Size	48" (1219mm) x 96" (2438mm)
Min Size	4" (100mm) x 4" (100mm)
Frame Cover Type	Flat 25 / Round 30 / Beveled 35 / Flat 35
Frame Color	Anodized Silver (Default) / Anodized Black or Other Colors
Front Cover Material	Clear Acrylic (Default) / Poly Carbonate or Non-Glare
Available Gap for Graphic	0.5mm
Back Cover Material	PVC (Default) / ACM
Mounting Options	D-Ring (Default) / Direct Screw (#6) / Hanging Wire / Z-Bracket
Weight	W = 1.0 kg/ft ² ± 10%
Warranty	3 Years

Electrical	
Available LED Channels	1ch / 2ch / 4ch
Brightness	Apx 1,800 ~ 5,000 Lux
LED Color Temperature	5000K / 6500K (Default) / 10000K
CRI	90+
Input Voltage	12V / 24V DC Class 2
Amperage	0.36A per LED Linear feet (ft) / 1.18A per meter (m)
Power Consumption	4.44W per LED Linear feet (ft) / 14.4W per meter (m)
Operating Temperature	-40°C (-40°F) ~ 60°C (140°F)

LED Color Temperature

- 5000K
- 6500K (Default)
- 10000K

Frame Color

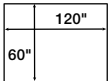
- Anodized Silver (Default)
- Anodized Black
- Other Colors (Powder Coating)

LT Series

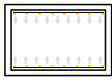
A LED Light Box With Luminous Titanium Finish



Key Features



Max Size



Edge-Lit LED



Front Loading



Available Power Coating



GRI 90+



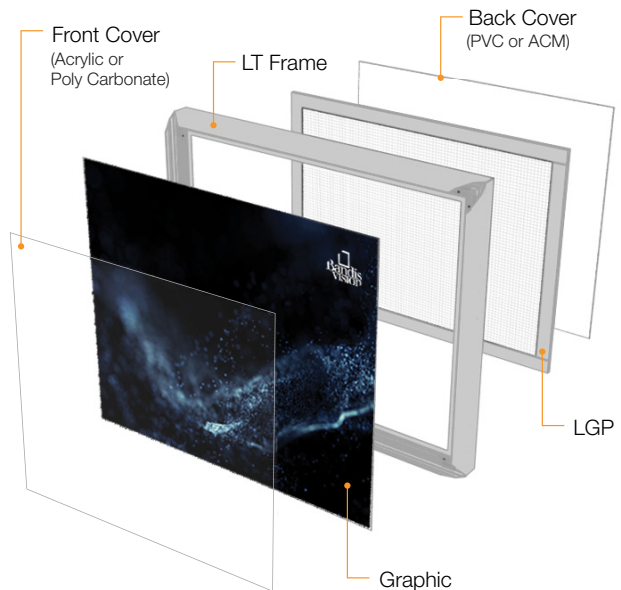
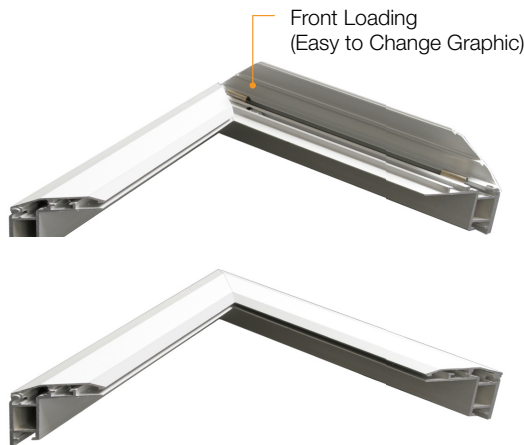
Dimmable



12V / 24V

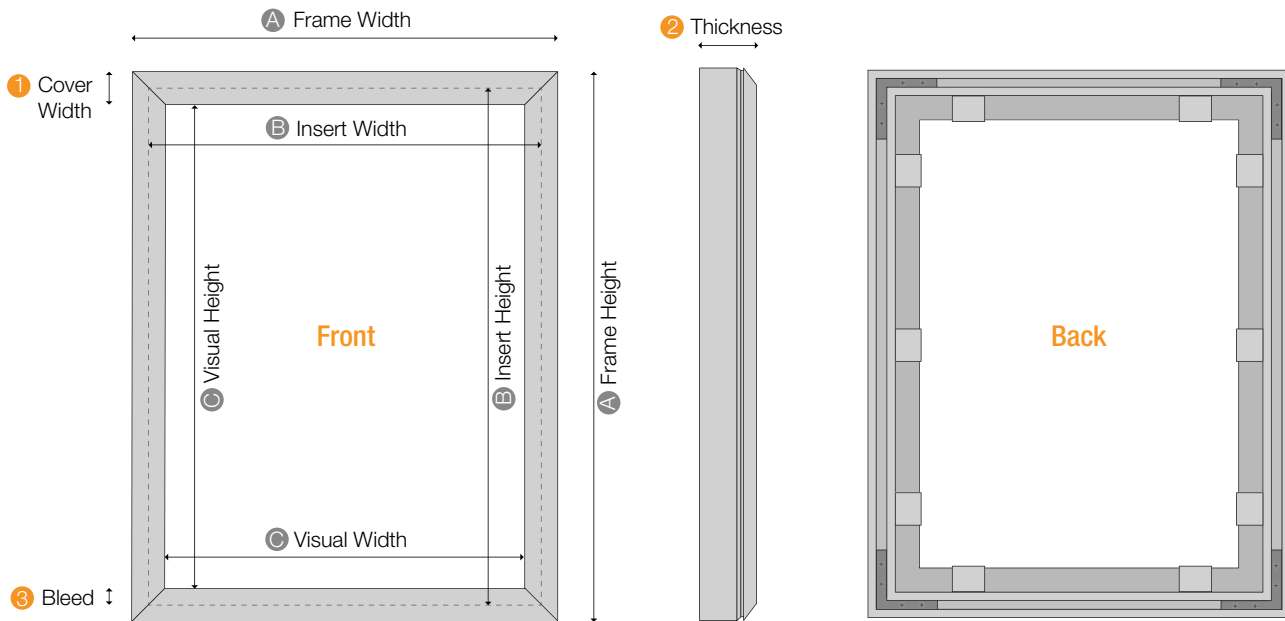
The LT SERIES Light Box is engineered for applications that demand larger panels, measuring up to 60" x 120". Its robust structure is designed to be both strong and light-weight. When combined with a high-quality LED light panel, the result is soft, homogeneous lighting that optimizes graphic quality. The frame features quick-change snap and comes in standard anodized silver, with optional custom powder coat colors available.

Structure



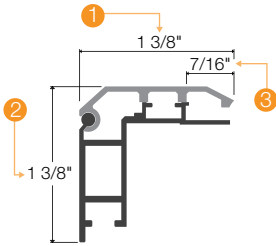
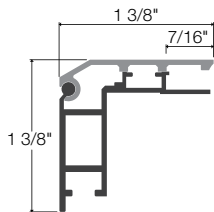


Frame Dimension Guide

* **C** Visual Size = **B** Insert Size - (**C** Bleed x 2)



Cover Type & Dimension

		
	Beveled 35 BV-6303	Flat 35 BV-6304
1 Cover Width	1 3/8" (35mm)	1 3/8" (35mm)
2 Thickness	1 3/8" (35.2mm)	1 3/8" (34.4mm)
3 Bleed	7/16" (11mm)	7/16" (10.8mm)
Profile		

Wire Type

* Default Wire length : 4' (1.2m)



DC Connector
(Default)



Pig Tail



JST SM Connector

Mounting Options



D-Ring
(Default)



Direct Screw
(#6)



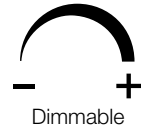
Hanging Wire



Z-Bracket
(ACM Only)

Dimming

- 0-10V dimming
- Pulse-with modulation (PWM)

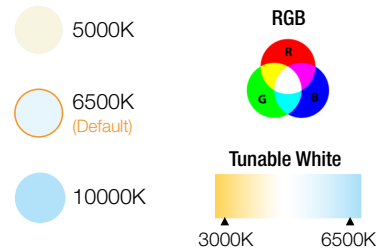


Specifications

Physical	
Max Size	60" (1524mm) x 120" (3048mm)
Min Size	4" (100mm) x 4" (100mm)
Frame Cover Type	Beveled 35 / Flat 35
Frame Color	Anodized Silver (Default) / Anodized Black or Other Colors
Front Cover Material	Clear Acrylic (Default) / Poly Carbonate or Non-Glare
Available Gap for Graphic	0.5mm
Back Cover Material	PVC (Default) / ACM
Mounting Options	D-Ring (Default) / Direct Screw (#6) / Hanging Wire / Z-Bracket
Weight	W = 1.1 kg/ft ² ± 10%
Warranty	3 Years

Electrical	
Available LED Channels	1ch / 2ch / 4ch
Brightness	Apx 1,800 ~ 5,000 Lux
LED Color Temperature	5000K / 6500K (Default) / 10000K / CCT / RGB
CRI	90+
Input Voltage	12V / 24V DC Class 2
Amperage	0.36A per LED Linear feet (ft) / 1.18A per meter (m)
Power Consumption	4.44W per LED Linear feet (ft) / 14.4W per meter (m)
Operating Temperature	-40°C (-40°F) ~ 60°C (140°F)

LED Color Temperature



Frame Color

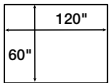
- Anodized Silver (Default)
- Anodized Black
- Other Colors (Powder Coating)

HB Series

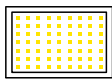
A LED Light Box With High Brightness



Key Features



Max Size



Back-Lit LED



Front Loading



Available Power Coating



CRI 90+



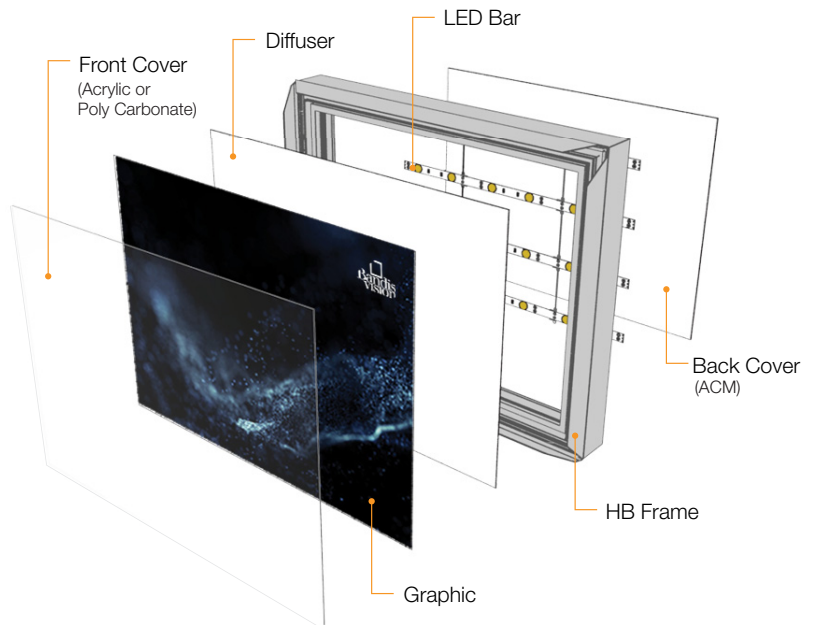
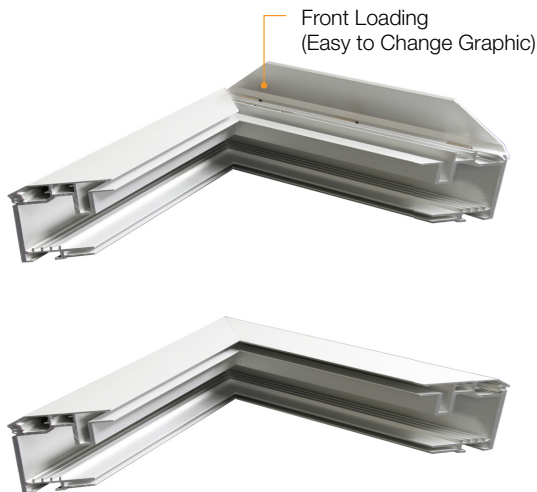
Dimmable



24V

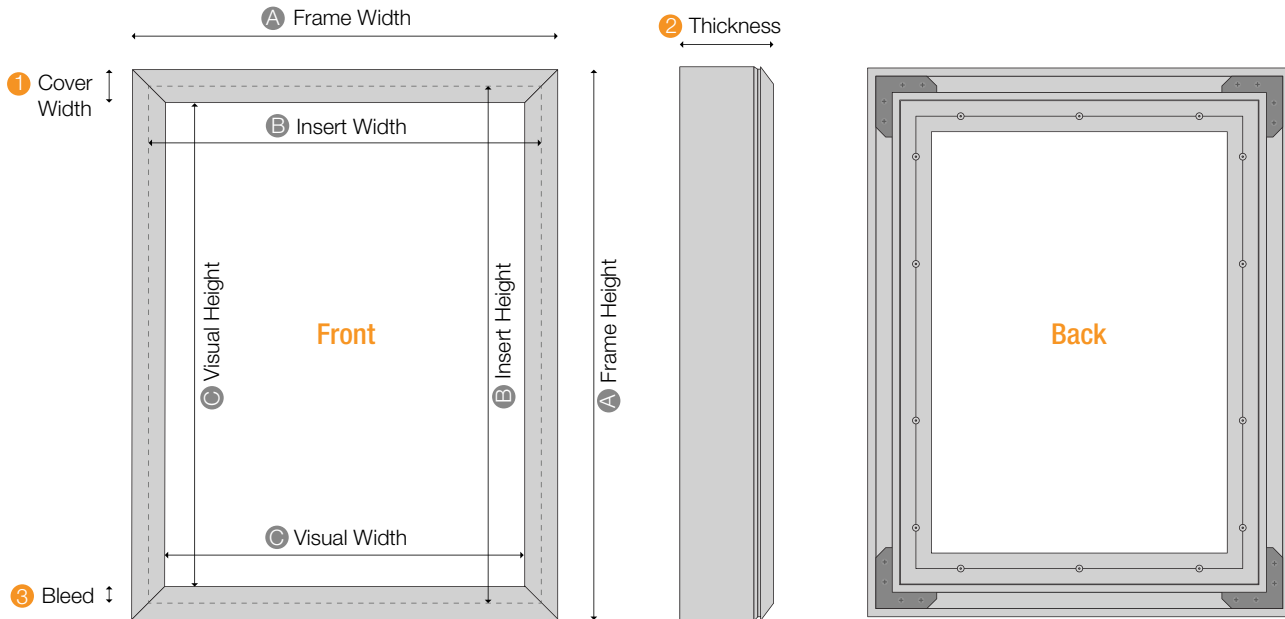
The HB SERIES LED backlight module panels are crafted for applications where paramount brightness is essential. Delivering 5000+ lux, our HB Series ensures even light distribution across the entire surface. Featuring a quick change, front-loading snap frame, it facilitates easy graphic replacement. This product offers two significant advantages: enhanced graphic visibility in daylight applications and virtually limitless panel size options. Choose from standard anodized aluminum or opt for frames in powder-coated colors to suit your preferences.

Structure


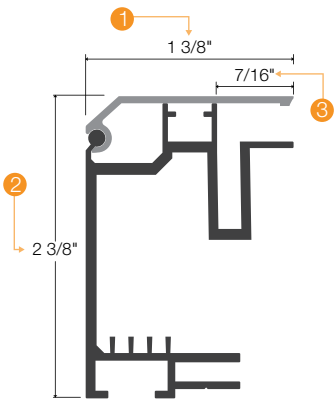


Frame Dimension Guide

* **C** Visual Size = **B** Insert Size - (**C** Bleed x 2)



Cover Type & Dimension

	
	Beveled 38 EV-6305
1 Cover Width	1 1/2" (38mm)
2 Thickness	2 3/8" (60.2mm)
3 Bleed	9/16" (14mm)
Profile	

Wire Type

* Default Wire length : 4' (1.2m)



DC Connector
(Default)



Pig Tail



JST SM Connector

Mounting Options



D-Ring
(Default)



Direct Screw
(#6)



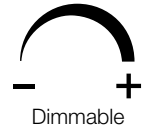
Hanging Wire



Z-Bracket
(ACM Only)

Dimming

- 0-10V dimming
- Pulse-with modulation (PWM)



Specifications

Physical	
Max Size	60" (1524mm) x 120" (3048mm)
Min Size	12" (305mm) x 12" (305mm)
Frame Cover Type	Beveled 38
Frame Color	Anodized Silver (Default) / Anodized Black or Other Colors
Front Cover Material	Clear Acrylic (Default) / Poly Carbonate or Non-Glare
Available Gap for Graphic	0.5mm
Back Cover Material	ACM (Default)
Mounting Options	D-Ring (Default) / Direct Screw (#6) / Hanging Wire / Z-Bracket
Weight	W = 1.5 kg/ft ² ± 10%
Warranty	3 Years

Electrical	
Available LED Channels	LED Bar
Brightness	5,000 Lux ± 5%
LED Color Temperature	5000K / 6500K (Default) / 10000K
CRI	90+
Input Voltage	24V DC Class 2
Amperage	0.47A / ft ²
Power Consumption	11.5W / ft ²
Operating Temperature	-40°C (-40°F) ~ 60°C (140°F)

LED Color Temperature

- 5000K
- 6500K (Default)
- 10000K

Frame Color

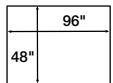
- Anodized Silver (Default)
- Anodized Black
- Other Colors (Powder Coating)

KB-25 Series

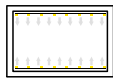
Edge-lit Frameless SEG Fabric LED Light Box



Key Features



Max Size



Edge-Lit LED



SEG (Silicone Edge Graphic)



Available Power Coating



CRI 90+



Dimmable



12V / 24V



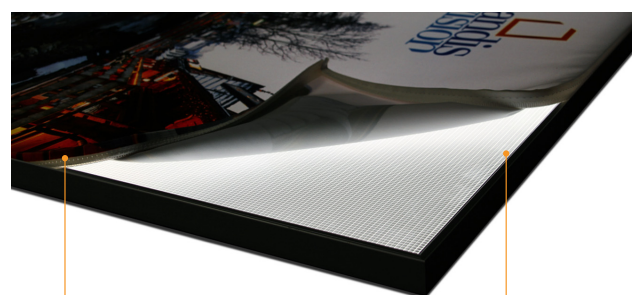
Light

This represents the prevalent variant of our frameless fabric LED light box, where LED light sources are strategically positioned along the frame, typically on the two longer sides. We specialize in manufacturing single-sided edge-lit models, available in an ultra-thin profile measuring only 25mm, as well as double-sided, edge-lit, and free-standing options. These high-powered LEDs illuminate expansive displays with ease. Assembly and installation are quick and straightforward. Utilizing customer provided images, we meticulously handle edge-lit fabric printing, ensuring a seamless and frameless display with sewn silicone edges.

Structure



Seamless and Frameless



SEG (Silicone Edge Graphic)

Side-Lit

Wire Type

* Default Wire length : 4' (1.2m)



DC Connector
(Default)



Pig Tail



JST SM Connector

Mounting Options



D-Ring
(Default)



Direct Screw
(#6)



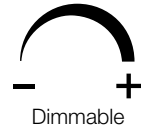
Hanging Wire



Z-Bracket
(ACM Only)

Dimming

- 0-10V dimming
- Pulse-with modulation (PWM)



Specifications

Physical	
Max Size	48" (1219mm) x 96" (2438mm)
Min Size	4" (100mm) x 4" (100mm)
Thickness	1" (25mm)
Frame Cover Type	Seamless SEG Fabric
Frame Color	Anodized Silver (Default) / Anodized Black or Other Colors
Bleed	None
Mounting Options	D-Ring (Default) / Direct Screw (#6) / Hanging Wire / Z-Bracket
Weight	W = 1.5 kg/ft ² ± 10%
Warranty	3 Years

Electrical	
Available LED Channels	1ch / 2ch / 4ch
Brightness	Apx 1,800 ~ 5,000 Lux
LED Color Temperature	5000K / 6500K (Default) / 10000K
CRI	90+
Input Voltage	12V / 24V DC Class 2
Amperage	0.36A / LED Linear ft ²
Power Consumption	?
Operating Temperature	-40°C (-40°F) ~ 60°C (140°F)

LED Color Temperature

- 5000K
- 6500K (Default)
- 10000K

Frame Color

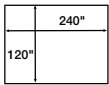
- Anodized Silver (Default)
- Anodized Black
- Other Colors (Powder Coating)

KB-50 Series

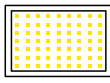
Back-lit Frameless SEG Fabric LED Light Box



Key Features



Max Size



Back-Lit LED



SEG
(Silicone Edge
Graphic)



Available
Power Coating



CRI 90+



Dimmable



24V



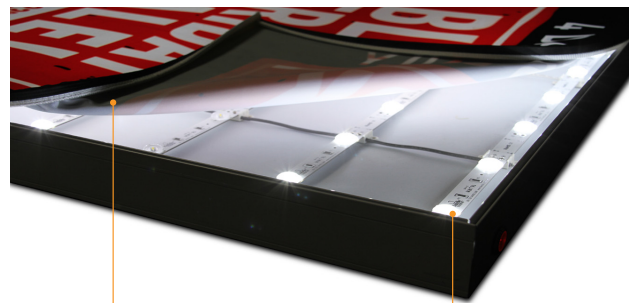
Light

The light source in the back-lit frameless fabric LED light box consists of an array of smaller LEDs strategically positioned on the backplate. This design guarantees consistent brightness across displays of varying sizes. Manufactured with a slim 50mm profile, the back-lit light box is assembled, shipped, and effortlessly installed. Within this profile, we've seamlessly integrated an internal, dimmable power supply. Leveraging customer-provided images, we expertly handle back-lit fabric printing, complete with sewn silicone edges for a flawless and frameless presentation.

Structure



Seamless and Frameless



SEG
(Silicone Edge Graphic)

Back-Lit

Wire Type

* Default Wire length : 4' (1.2m)



DC Connector
(Default)



Pig Tail



JST SM Connector

Mounting Options



D-Ring
(Default)



Direct Screw
(#6)



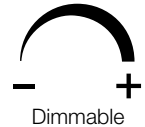
Hanging Wire



Z-Bracket
(ACM Only)

Dimming

- 0-10V dimming
- Pulse-with modulation (PWM)



Specifications

Physical	
Max Size	120" (3048mm) x 240" (6096mm)
Min Size	4" (100mm) x 4" (100mm)
Thickness	2" (50mm)
Frame Cover Type	Seamless SEG Fabric
Frame Color	Anodized Silver (Default) / Anodized Black or Other Colors
Bleed	None
Mounting Options	D-Ring (Default) / Direct Screw (#6) / Hanging Wire / Z-Bracket
Weight	W = 0.75 kg/ft ² ± 10%
Warranty	3 Years

Electrical	
Available LED Channels	LED Bar
Brightness	5,000 Lux ± 5%
LED Color Temperature	5000K / 6500K (Default) / 10000K
CRI	90+
Input Voltage	24V DC Class 2
Amperage	0.47A / ft ²
Power Consumption	11.5W / ft ²
Operating Temperature	-40°C (-40°F) ~ 60°C (140°F)

LED Color Temperature

5000K

6500K
(Default)

10000K

Frame Color

Anodized Silver
(Default)

Anodized Black

Other Colors
(Powder Coating)

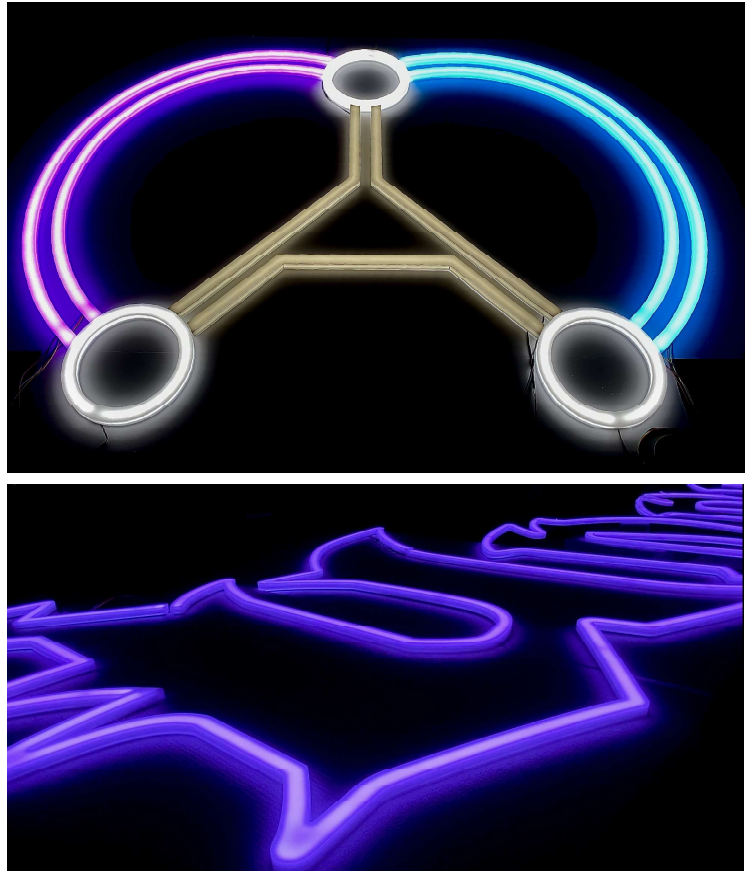
| Bandis Vision Brochure

03

CHANNEL LETTER



Table of Contents

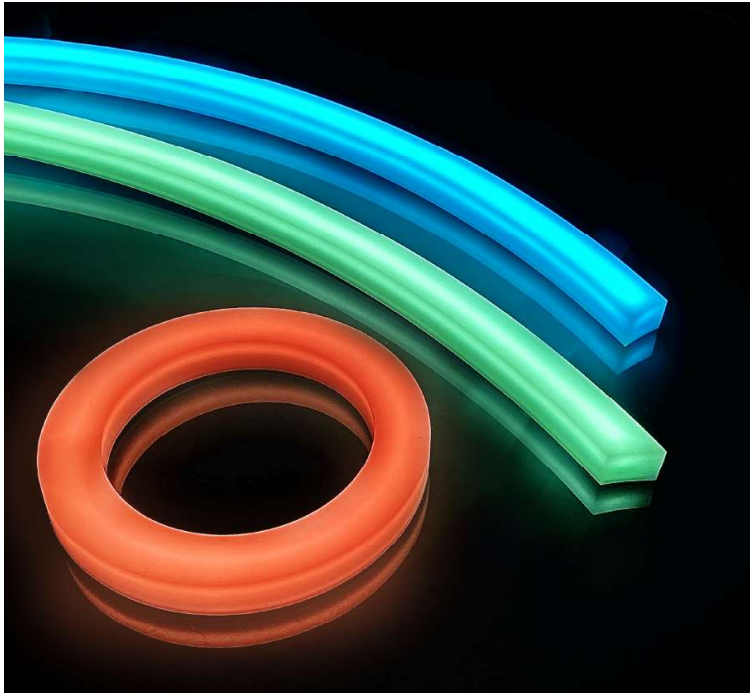


03 CHANNEL LETTER

Acrylic Letters & Logo	03
Metal Letters & Logo	05
PVC / ABS / Wood Letters & Logo	07
Trim Cap Letters & Logo	09
Push-thru Illuminated Signs	11

Acrylic Letters & Logo

Trimless, Flawless Illumination



A lit up acrylic sign provides a beautiful glow. LED lighting is embedded precisely into acrylic forms to provide omnidirectional illumination. Select from variety of face finishes and styles to design the ideal signage for your project. UL-certified power supply and lighting ensure product safety and regulatory compliance.

- Available in 1", 3/4" or 1/2" thickness
- Sizes ranging from 2" to 96"
- Omnidirectional illumination
- Acrylic and Aluminum face options
- Vinyl finishes available
- UL certified LEDs and power supplies
- 5-years warranty

Lit Type*



FRONT LIT



SIDE LIT



FRONT+SIDE LIT

*Color match available.

Applications

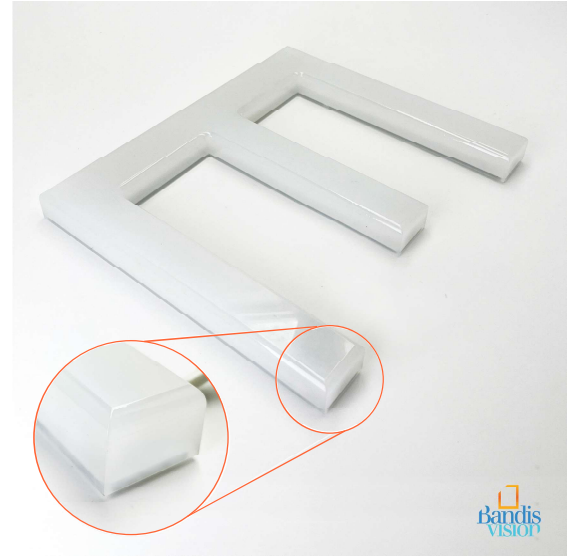
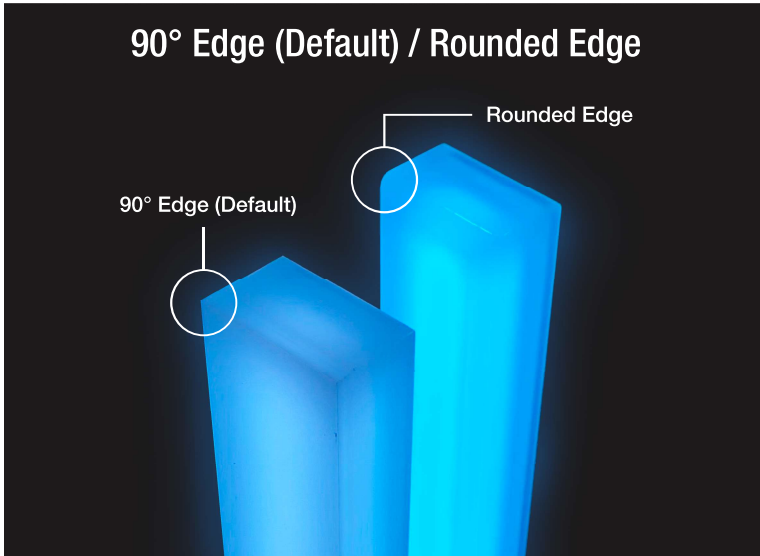
- Storefronts
- Wall Displays
- Exhibitions
- Receptions / Lobbies
- Signage
- Shopping Malls

Get in Touch

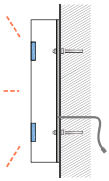
SALES@BANDISVISION.COM



Finish Options

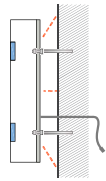


Mounting Options



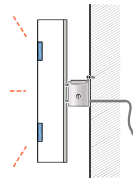
Flush Mounting

(Default for Front / Side / Front + Side Lit)

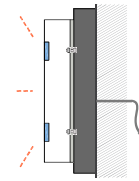


Stud Mounting

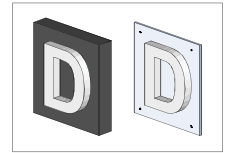
(Default for Back Lit)



Raceway Mounting



Backer Panel

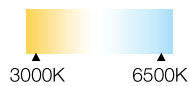


LED Color Temperatures

White LED Color Temperature (Standard Color)



Tunable White



Digital LED



Wire Type

* Default Wire Length : 8' (2.4m)



Pig Tail



DC Connector



JST SM Connector

Specifications

Physical

Max Size	48" (1219mm) x 96" (2438mm)
Min Size	2" (50mm) x 2" (50mm)
Thickness	1" (25mm) or 3/4" (18mm) or 1/2" (12mm)
Operating Temperature	-30°C (-22°F) ~ +40°C (+104°F)
Environment	Dry location only (Indoor)
Warranty	5 Years

Electrical

Input Voltage	12V / 24V DC Class 2
Power Consumption	2.2w/ft (Standard) / 3w/ft (High-Lumn)
Brightness	2,000 Lux to 10,000 Lux
Color Temperature	White LED / Tunable White / R or G or B / RGB / Digital LED
Wire Size	20 AWG 2 Wire (Standard)
UL Listed	Yes
CRI	90+

Metal Letters & Logo

Rich and Crisp finishes, multiple lit options



Illuminated metal letters leave a lasting impression and get your brand noticed. Expertly crafted with premium grade stainless steel, produced in a wide range of sizes from 3" to 20" high, depth from 1" to 3", in multiple stainless finish options and lit styles.

- Premium quality and high end look
- Stainless Steel
- Stroke as thin as 1/2" (12mm)
- Size ranging from 2" to 20"
- Return depth from 1/2" to 6"
- Available in acrylic, vinyl and metal finish
- UL certified LEDs and power supplies
- 5-years warranty

Lit Type*



FRONT LIT



FRONT&SIDE
EDGE
LIT



HALO LIT

*See next page for detail.

Applications

- Building Lobby
- Retail / Storefronts Signage
- Trade Show

Get in Touch

SALES@BANDISVISION.COM



Lit Type & Material

* Color match available.

• Front & Side Edge Lit

Face : Acrylic
Return : Polished Gold or Silver
Brushed Gold or Silver
Backer : Acrylic



• Side Edge Lit / Halo Lit

Face & Return (Body) :
Polished Gold or Silver
Brushed Gold or Silver
Backer : Acrylic

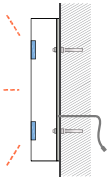


• Front Lit

Face : Acrylic (with Vinyl)
Return : Steel (with Painting)

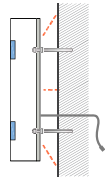


Mounting Options



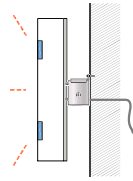
Flush Mounting

(Default for Front / Side /
Front + Side Lit)

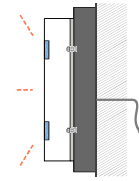


Stud Mounting

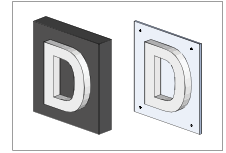
(Default for Back Lit)



Raceway Mounting

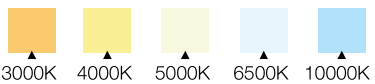


Backer Panel

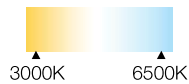


LED Color Temperatures

White LED Color Temperature (Standard Color)



Tunable White



Digital LED



Wire Type

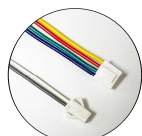
* Default Wire Length : 8' (2.4m)



Pig Tail



DC Connector



JST SM Connector

Specifications

Physical	
Max Size	20" (508mm) x 20" (508mm)
Min Size	3" (76mm) x 3" (76mm)
Thickness	1" (25mm) or 1 3/16" (30mm) or 1 3/8" (35mm)
Operating Temperature	-30°C (-22°F) ~ +40°C (+104°F)
Environment	Dry location only (Indoor)
Warranty	5 Years
Electrical	
Input Voltage	12V / 24V DC Class 2
Power Consumption	2.2w/ft (Standard) / 3w/ft (High-Lumn)
Brightness	2,000 Lux to 10,000 Lux
Color Temperature	White LED / Tunable White / R or G or B / RGB / RGBW / Digital LED
Wire Size	20 AWG 2 Wire (Standard)
UL Listed	Yes
CRI	90+

PVC/ABS/Wood Letters

Finely Crafted, Endless design possibilities



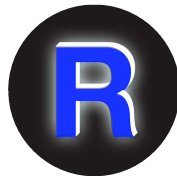
Create eye-catching signage with PVC, ABS, and WOOD. The maximum size is 48"x 96" in a single piece, larger size can be produced in multiple pieces. Add halo lighting in a range of LED color choices to create visually striking look.

- Available in various materials
- Halo light effect
- Sizes ranging from 2" to 96"
- Minimum size: 2" (50mm)
- Available in vinyl or paint finishes
- UL certified LEDs and power supplies
- 5-years warranty

Lit Type



HALO LIT



SIDE EDGE LIT



NON LIT

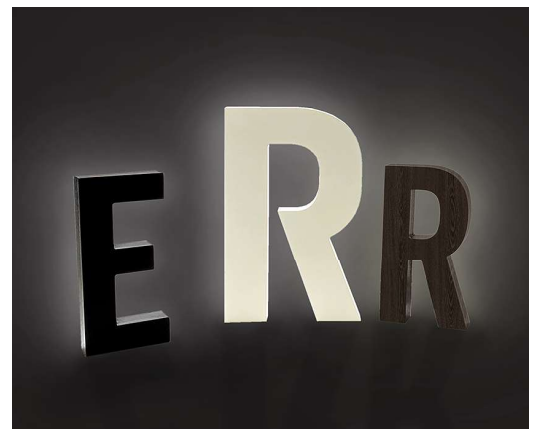
* See next page for detail.

Applications

- Signage
- Retail / Storefronts
- Trade Show

Get in Touch

SALES@BANDISVISION.COM



Lit Type & Material

* Color match available / Body Finish: Vinyl or Painting

▪ Halo Lit

Body : PVC (White or Black)
ABS (White or Black)
Wood (with Vinyl or Painting*)



▪ Side Edge Lit

Body : PVC (White or Black)
ABS (White or Black)
Wood (with Vinyl or Painting*)
Backer : Acrylic

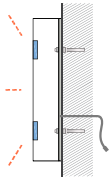


▪ Non - Lit

Body : PVC (White or Black)
ABS (White or Black)
Wood (with Vinyl or Painting*)

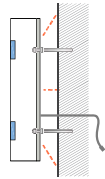


Mounting Options



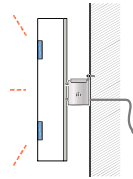
Flush Mounting

(Default for Front / Side /
Front + Side Lit)

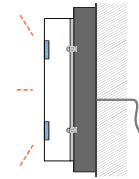


Stud Mounting

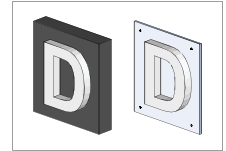
(Default for Back Lit)



Raceway Mounting

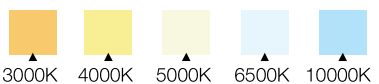


Backer Panel

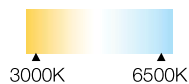


LED Color Temperatures

White LED Color Temperature (Standard Color)



Tunable White



Digital LED



Wire Type

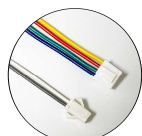
* Default Wire Length : 8' (2.4m)



Pig Tail



DC Connector



JST SM Connector

Specifications

Physical	
Max Size	48" (1219mm) x 96" (2438mm)
Min Size	2" (50mm) x 2" (50mm)
Thickness	1" (25mm) or 2" (50mm)
Operating Temperature	-30°C (-22°F) ~ +40°C (+104°F)
Environment	Dry location only (Indoor)
Warranty	5 Years
Electrical	
Input Voltage	12V / 24V DC Class 2
Power Consumption	2.2w/ft (Standard) / 3w/ft (High-Lumn)
Brightness	2,000 Lux to 10,000 Lux
Color Temperature	White LED / Tunable White / R or G or B / RGB / RGBW / Digital LED
Wire Size	20 AWG 2 Wire (Standard)
UL Listed	Yes
CRI	90+

Trim Cap Letters & Logo

Flexible design, indoor/outdoor use



Illuminated Trim Cap letters provide an impactful signage solution. Composed of an aluminum or stainless-steel body with LED modules installed. The vinyl facings on acrylics allow light through and project the color of the facing. Their flexible nature allows them to be changed into a wide range of fonts, shapes, colors and sizes, with an average depth of 3~6 depth. Ideal for main signage for a shop, a building's primary outdoor signage. Commonly used on the exterior signage. They may also be used indoor.

- Custom sizes and shapes
- Custom color temperatures
- Face illuminated
- Energy-efficient

Lit Type



FRONT LIT

Lit Color*

Face : Acrylic (with Vinyl*)

Return : White

Red Orange

Yellow Green

Blue Black

* Color match available.

Applications

- Signage
- Exterior Signs
- Storefront Signs

Get in Touch

SALES@BANDISVISION.COM



Lit Type & Material

* Color match available.

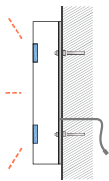
Front Lit

Face : Acrylic (with Vinyl*)

Return : Red / Orange / Yellow / Green / Blue / Black / White

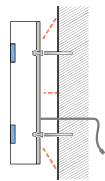


Mounting Options



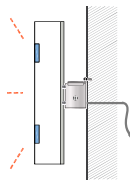
Flush Mounting

(Default for Front / Side / Front + Side Lit)

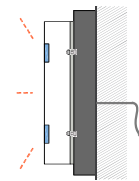


Stud Mounting

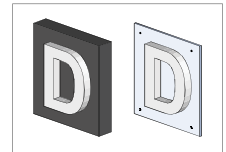
(Default for Back Lit)



Raceway Mounting

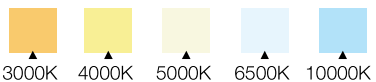


Backer Panel

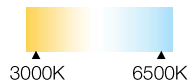


LED Color Temperatures

White LED Color Temperature (Standard Color)



Tunable White



Digital LED



Wire Type

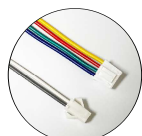
* Default Wire Length : 8' (2.4m)



Pig Tail



DC Connector



JST SM Connector

Specifications

Physical

Maximum Height	36" (914mm)
Minimum Height	6" (152mm)
Thickness	3" (76mm) or 4" (100mm)
Operating Temperature	-30°C (-22°F) ~ +40°C (+104°F)
Environment	Indoor & Outdoor
Warranty	5 Years

Electrical

Input Voltage	12V / 24V DC Class 2
Power Consumption	2.2w/ft (Standard) / 3w/ft (High-Lumn)
Brightness	2,000 Lux to 10,000 Lux
Color Temperature	White LED / Tunable White / R or G or B / RGB / RGBW / Digital LED
Wire Size	20 AWG 2 Wire (Standard)
UL Listed	Yes
CRI	90+

Push-thru Illuminated Signs



Dimensional lit affect, Endless design possibilities



Push-thru signs are made out of a box or panel that holds a lighting source and acrylic letters that give dimension when pushed through a cutout in the face layer. High-quality, energy-efficient LEDs are carefully positioned to provide a flawless glow on the 3D cut acrylic forms, improving sign readability and adding a touch of elegance. Countless form, size, material, and modification options offer countless design possibilities.

- Slim Design
- Custom sizes
- Custom color temperatures
- Complementary lighting affect
- As thin as 1 inch

Applications

- Signage
- Store Display
- Display Fixture

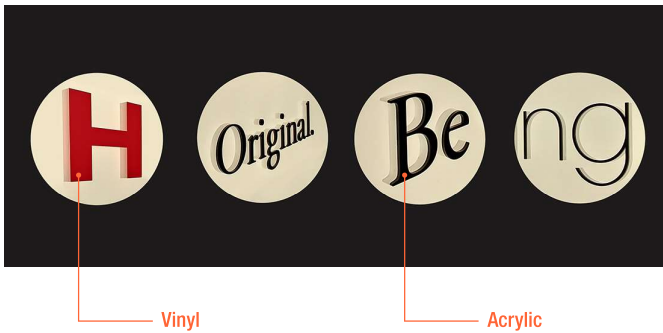
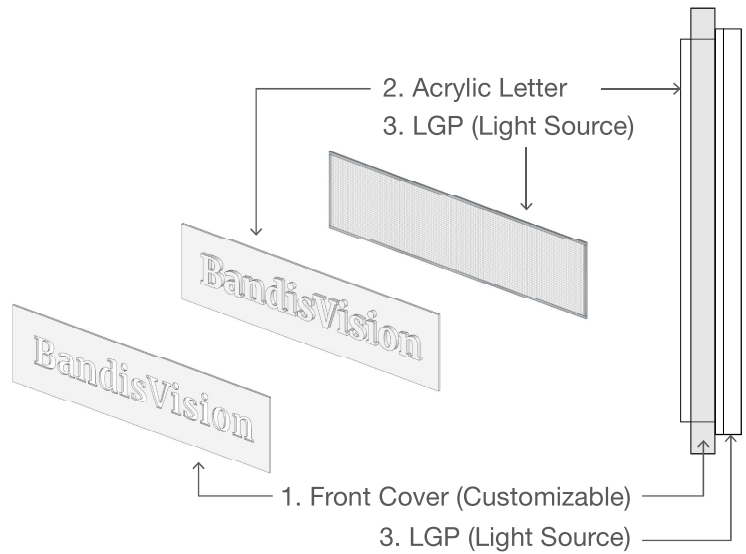
Get in Touch

SALES@BANDISVISION.COM

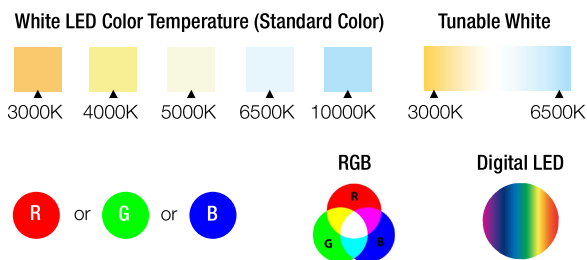


Structure & Section

* Color match available.



LED Color Temperatures



Specifications

Physical	
Max Size	48" (1219mm) x 96" (2438mm)
Min Size	0.5" (12mm) x 0.5" (12mm)
Thickness	0.5" (12mm)
Operating Temperature	-30°C (-22°F) ~ +40°C (+104°F)
Environment	Dry location only (Indoor)
Warranty	5 Years

Electrical	
Input Voltage	12V / 24V DC Class 2
Power Consumption	2.2w/ft (Standard) / 3w/ft (High-Lumn)
Brightness	2,000 Lux to 10,000 Lux
Color Temperature	White LED / Tunable White / R or G or B / RGB / RGBW / Digital LED
Wire Size	20 AWG 2 Wire (Standard)
UL Listed	Yes
CRI	90+

Wire Type

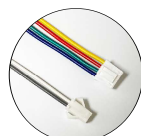
* Default Wire Length : 8' (2.4m)



Pig Tail



DC Connector



JST SM Connector

04

LINEAR LIGHT

Table of Contents



04 LINEAR LIGHT

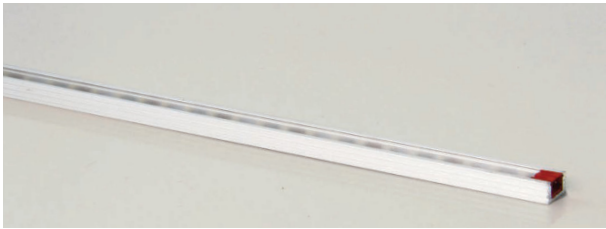
TYPE A	03
X-2	04
G5	05
G8	06
T3	07

TYPE A

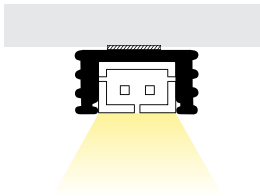
Surface Mounted LED Linear Light



Surface mounted, TYPE A linear light is designed where recessed installation is not an option. These extrusion is perfect to be installed but not limited to, in any flat surfaces whether it is a ceiling or wall, under or on top of the cabinet, display cases, shelvings and art niches. Installation is simple and easy, Supplied in standard 1m or 2m lengths and cut-lengths can be customised upon request.



Installation

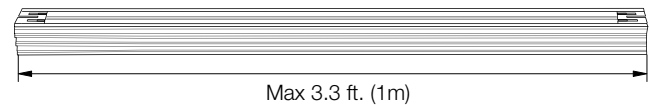
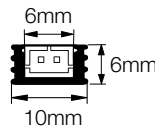


Surface Mounting



Connector

Dimension



Accessories



- ① Aluminum Profile
- ② 3M Tape
- ③ 3pcs Connector

LED Color Temperature

White LED Color Temperature (Standard Color)



Specifications

Electrical	
Input Voltage	12V / 24V DC Class 2
Power Consumption	Standard : 2.2 w/ft. High - Lumn : 3 w/ft.
Brightness	2,000 Lux to 10,000 Lux
Color Temperature	White LED / R or G or B
CRI	90+

Physical	
Max Length	3.3 ft. (1m)
Weight/m	60g
Dimension (WxH)	3/8" (10mm) x 1/4" (6mm)
Diffuser	N/A
Environment	-30°C (-22°F) ~ +40°C (+104°F)
Operating Temperature	Dry location only (Indoor)
Warranty	3 Years

X-2

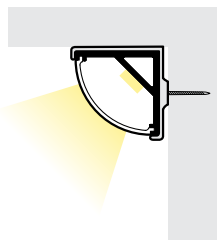
Corner Mounted LED Linear Light



X-2 linear light is very well designed for 90 degree corner installations. Designed to highlight corners, perfect for the joints between walls, cabinets or ceilings and allows a minimalist lighting solution. Installation is simple and easy, Supplied in standard 1m or 2m lengths and cut-lengths can be customised upon request.

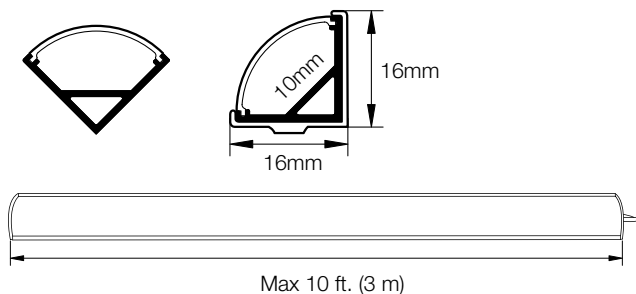


Installation



Corner Mounting

Dimension



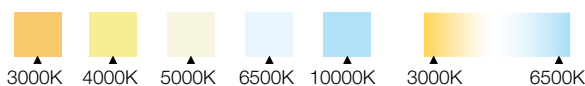
Accessories



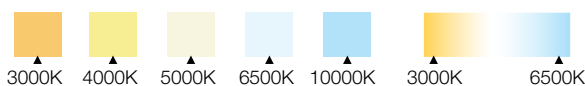
- 1 Clear Diffuser
- 2 Frosted Diffuser
- 3 Clips
- 4 Plastic End Caps

LED Color Temperature

White LED Color Temperature (Standard Color)



Tunable White



Specifications

Electrical	
Input Voltage	12V / 24V DC Class 2
Power Consumption	Standard : 2.2 w/ft. High - Lumn : 3 w/ft.
Brightness	2,000 Lux to 10,000 Lux
Color Temperature	White LED / Tunable White R or G or B / RGB / RGBW / Digital LED
CRI	90+

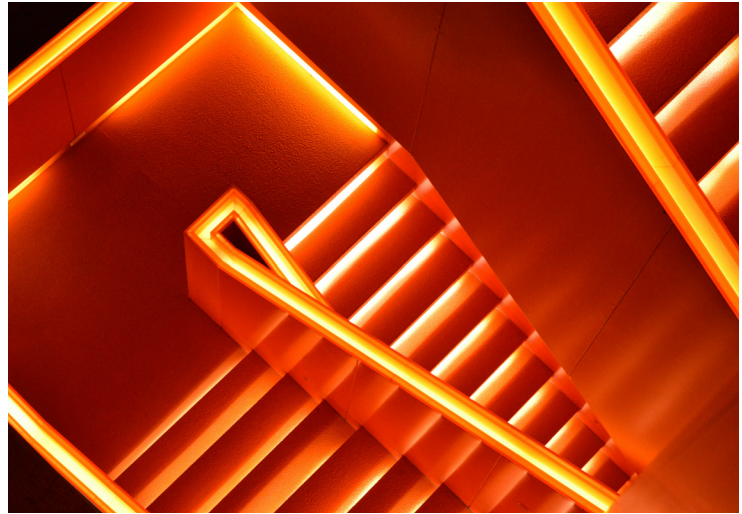
Physical	
Max Length	10 ft. (3m)
Weight/m	210g
Dimension (WxH)	5/8" (16mm) x 5/8" (16mm)
Diffuser	Clear / Frosted
Environment	-30°C (-22°F) ~ +40°C (+104°F)
Operating Temperature	Dry location only (Indoor)
Warranty	3 Years

G5

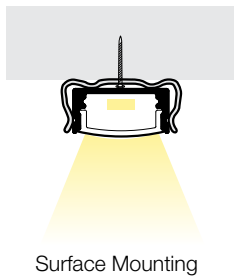
Surface Mounted LED Linear Light



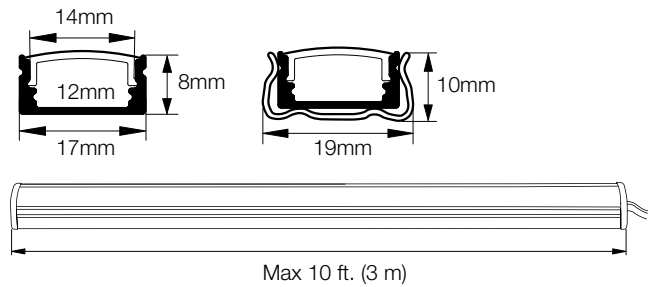
Surface mounted, G5 linear light is perfect for where recessed lighting is not an option. The LED strip lights with extrusion housing can help set the mood of each room in homes, offices and retail stores, creating a particular modern flare. Supplied in standard 1m or 2m lengths and cut-lengths can be customised upon request.



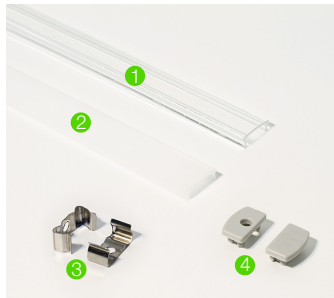
Installation



Dimension

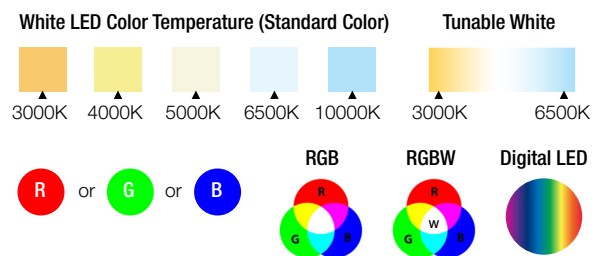


Accessories



- 1 Clear Diffuser
- 2 Frosted Diffuser
- 3 Clips
- 4 Plastic End Caps

LED Color Temperature



Specifications

Electrical	
Input Voltage	12V / 24V DC Class 2
Power Consumption	Standard : 2.2 w/ft. High - Lumn : 3 w/ft.
Brightness	2,000 Lux to 10,000 Lux
Color Temperature	White LED / Tunable White R or G or B / RGB / RGBW / Digital LED
CRI	90+

Physical	
Max Length	10 ft. (3m)
Weight/m	100g
Dimension (WxH)	1 1/16" (17mm) x 5/16" (8mm)
Diffuser	Clear / Frosted
Environment	-30°C (-22°F) ~ +40°C (+104°F)
Operating Temperature	Dry location only (Indoor)
Warranty	3 Years

G8

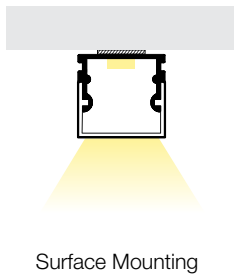
Surface Mounted LED Linear Light



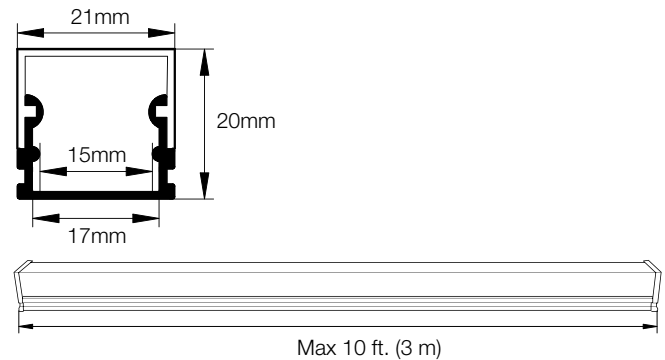
Surface mounted, G8 linear light is perfect for where recessed lighting is not an option. It comes with a square diffuser for soft direct and indirect lighting. Supplied in standard 1m or 2m lengths. The high quality aluminium extrusion can be cut to length as your require.



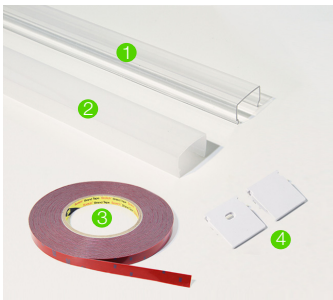
Installation



Dimension

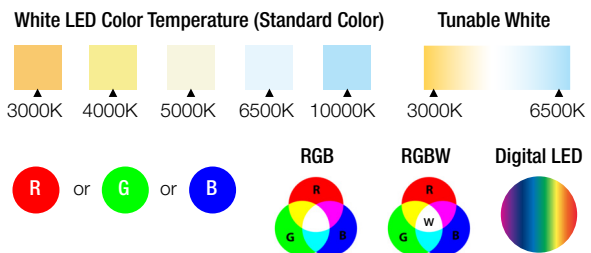


Accessories



- ① Clear Diffuser
- ② Frosted Diffuser
- ③ 3M Tape
- ④ Plastic End Caps

LED Color Temperature



Specifications

Electrical	
Input Voltage	12V / 24V DC Class 2
Power Consumption	Standard : 2.2 w/ft. High - Lumn : 3 w/ft.
Brightness	2,000 Lux to 10,000 Lux
Color Temperature	White LED / Tunable White R or G or B / RGB / RGBW / Digital LED
CRI	90+

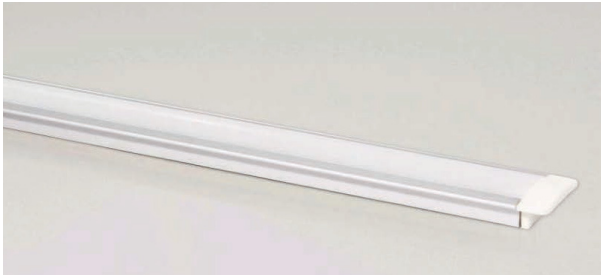
Physical	
Max Length	10 ft. (3m)
Weight/m	210g
Dimension (WxH)	13/16" (21mm) x 25/32" (20mm)
Diffuser	Clear / Frosted
Environment	-30°C (-22°F) ~ +40°C (+104°F)
Operating Temperature	Dry location only (Indoor)
Warranty	3 Years

T3

Recessed Mounted LED Linear Light



T3 linear light offers a wide variety of quality recessed aluminium extrusions or profiles for LED strip lights. Recessed extrusions can be installed under cabinets, shelves or furniture with the use of double-sided tape or clip. Supplied in standard 1m or 2m lengths and cut-lengths can be customised upon request.

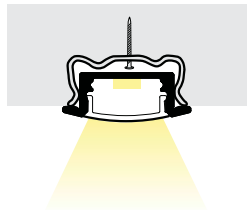


Installation

▪ Tape

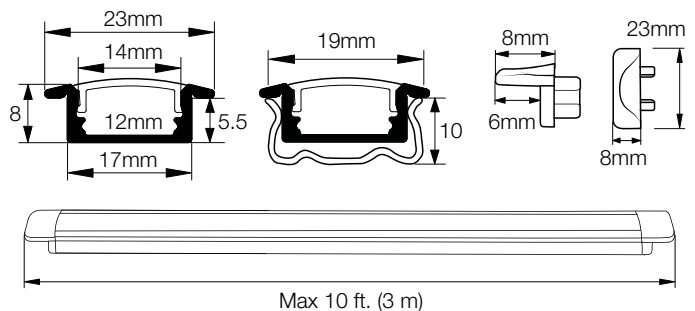


▪ Clip

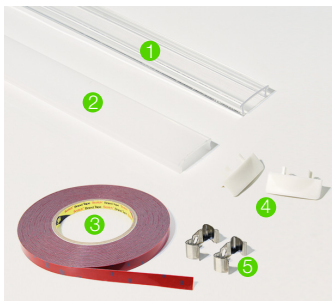


Recessed Mounting

Dimension



Accessories



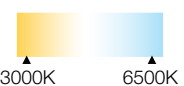
- ① Clear Diffuser
- ② Frosted Diffuser
- ③ 3M Tape
- ④ Plastic End Caps
- ⑤ Clips

LED Color Temperature

White LED Color Temperature (Standard Color)



Tunable White



Specifications

Electrical	
Input Voltage	12V / 24V DC Class 2
Power Consumption	Standard : 2.2 w/ft. High - Lumn : 3 w/ft.
Brightness	2,000 Lux to 10,000 Lux
Color Temperature	White LED / Tunable White R or G or B / RGB / RGBW / Digital LED
CRI	90+

Physical	
Max Length	10 ft. (3m)
Weight/m	140g
Dimension (WxH)	29/32" (23mm) x 5/16" (8mm)
Diffuser	Clear / Frosted
Environment	-30°C (-22°F) ~ +40°C (+104°F)
Operating Temperature	Dry location only (Indoor)
Warranty	3 Years

| Bandis Vision Brochure

05

SNAP FRAME



| Table of Contents



05 SNAP FRAME

EV-1 **03**

EV-2 **05**

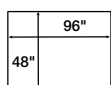


EV-1

The Non-Lit Snap Frame With Slim Profile And Versatile Application



Key Features



Max Size



Front Loading



Available
Power Coating

Frame Color



Anodized Silver
(Default)



Anodized Black



Other Colors
(Powder Coating)

The same snap frame as specified by our light box are also available in non-lit EV-1 profiles. The EV series snap frames are the perfect retail solution that showcases graphics within a single-sided/double-sided frame and allows quick and easy changing of graphics. Standard anodized aluminum or powder coated color frames are available for modern look finish.

Mounting Options



D-Ring
(Default)



Direct Screw
(#6)

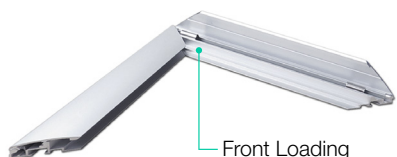


Hanging Wire



Z-Bracket
(ACM Only)

EV-1 Structure



Front Loading
(Easy to Change Graphic)

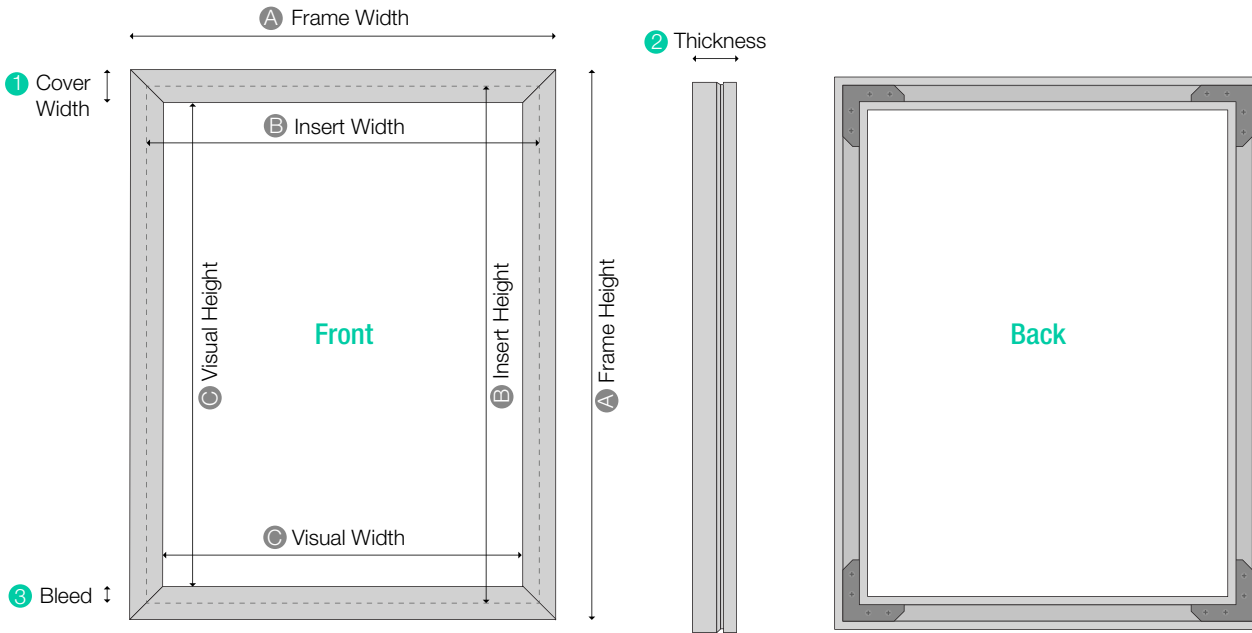


Specifications






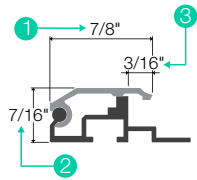
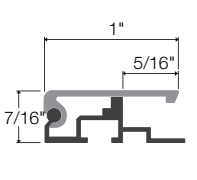
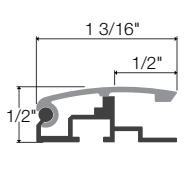
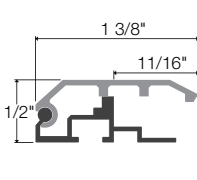
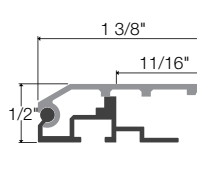
Physical	
Max Size	48" (1219mm) x 96" (2438mm)
Min Size	4" (100mm) x 4" (10mm)
Frame Cover Type	Beveled 22 / Flat 25 / Round 30 / Beveled 35 / Flat 35
Frame Color	Anodized Silver (Default) / Anodized Black or Other Colors
Front Cover Material	Clear Acrylic (Default) / Poly Carbonate or Non-Glare
Available Gap for Graphic	1/64" (0.5mm) ~ 5/32" (4mm)
Back Cover Material	PVC (Default) / ACM or Foam Board
Mounting Options	D-Ring (Default) / Direct Screw (#6) / Hanging Wire / Z-Bracket
Weight	W = 0.5 kg/ft ² ± 10%
Warranty	3 Years

EV-1 Frame Dimension Guide

* **C** Visual Size = **B** Insert Size - (**C** Bleed x 2)



EV-1 Cover Type & Dimension

					
	Beveled 22 BV-6300	Flat 25 BV-6301	Round 30 BV-6302	Beveled 35 BV-6303	Flat 35 BV-6304
1 Cover Width	7/8" (22mm)	1" (25mm)	1 3/16" (30mm)	1 3/8" (35mm)	1 3/8" (35mm)
2 Thickness	7/16" (11.6mm)	7/16" (11mm)	1/2" (12mm)	1/2" (13.4mm)	1/2" (12.6mm)
3 Bleed	3/16" (5.2mm)	5/16" (8.5mm)	1/2" (13.4mm)	11/16" (18.2mm)	11/16" (18mm)
Profile					

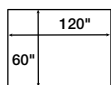


EV-2

The Non-Lit Snap Frame With Slim Profile And Versatile Application



Key Features



Max Size



Front Loading

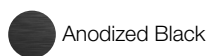


Available Power Coating

Frame Color



Anodized Silver (Default)



Anodized Black



Other Colors (Powder Coating)

The same snap frame as specified by our light box are also available in non-lit EV-2 profiles. The EV series snap frames are the perfect retail solution that showcases graphics within a single-sided/double-sided frame and allows quick and easy changing of graphics. Standard anodized aluminum or powder coated color frames are available for modern look finish.

Mounting Options



D-Ring (Default)



Direct Screw (#6)

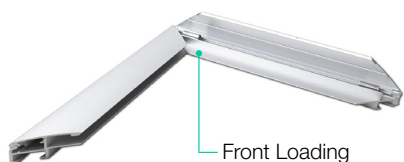


Hanging Wire



Z-Bracket (ACM Only)

EV-2 Structure



Front Loading (Easy to Change Graphic)

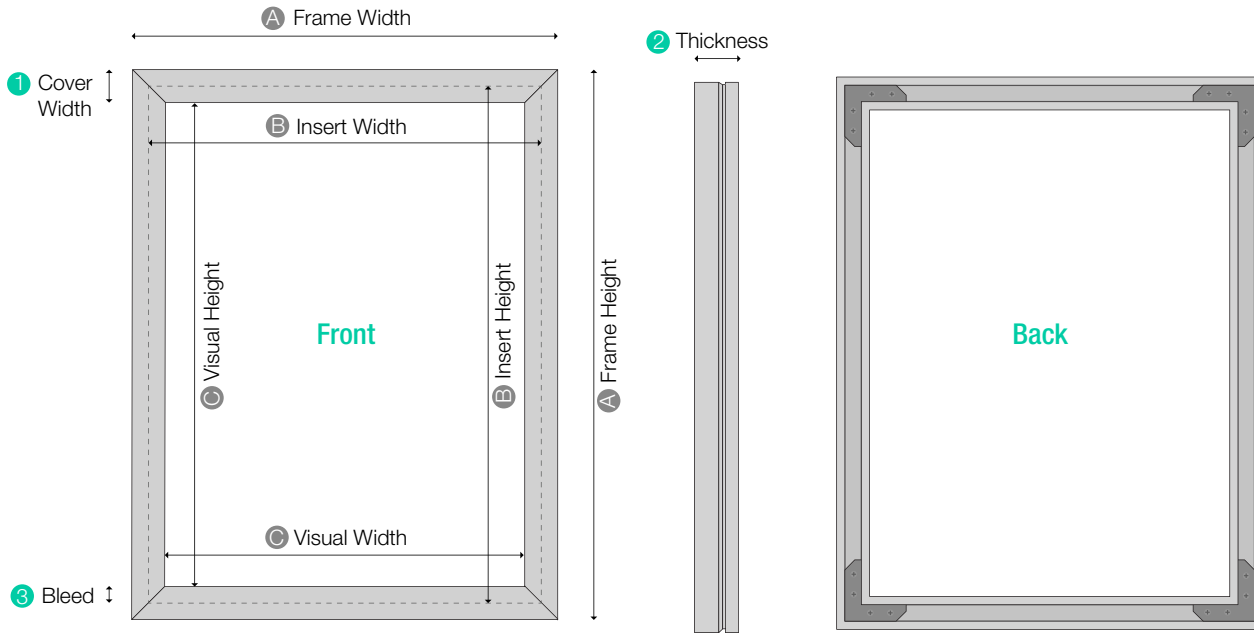


Specifications





Physical	
Max Size	60" (1524mm) x 120" (3048mm)
Min Size	4" (100mm) x 4" (10mm)
Frame Cover Type	Flat 25 / Round 30 / Beveled 35 / Flat 35
Frame Color	Anodized Silver (Default) / Anodized Black or Other Colors
Front Cover Material	Clear Acrylic (Default) / Poly Carbonate or Non-Glare
Available Gap for Graphic	1/64" (0.5mm) ~ 5/32" (4mm)
Back Cover Material	PVC (Default) / ACM or Foam Board
Mounting Options	D-Ring (Default) / Direct Screw (#6) / Hanging Wire / Z-Bracket
Weight	W = 0.5 kg/ft ² ± 10%
Warranty	3 Years

EV-2 Frame Dimension Guide

* C Visual Size = B Insert Size - (C Bleed x 2)



EV-2 Cover Type & Dimension Guide

				
	Flat 25 BV-6301	Round 30 BV-6302	Beveled 35 BV-6303	Flat 35 BV-6304
1 Cover Width	1" (25mm)	1 3/16" (30mm)	1 3/8" (35mm)	1 3/8" (35mm)
2 Thickness	11/16" (18mm)	3/4" (18.8mm)	13/16" (20.3mm)	3/4" (19.5mm)
3 Bleed	3/8" (10mm)	9/16" (15mm)	3/4" (19.7mm)	3/4" (19.6mm)
Profile	